

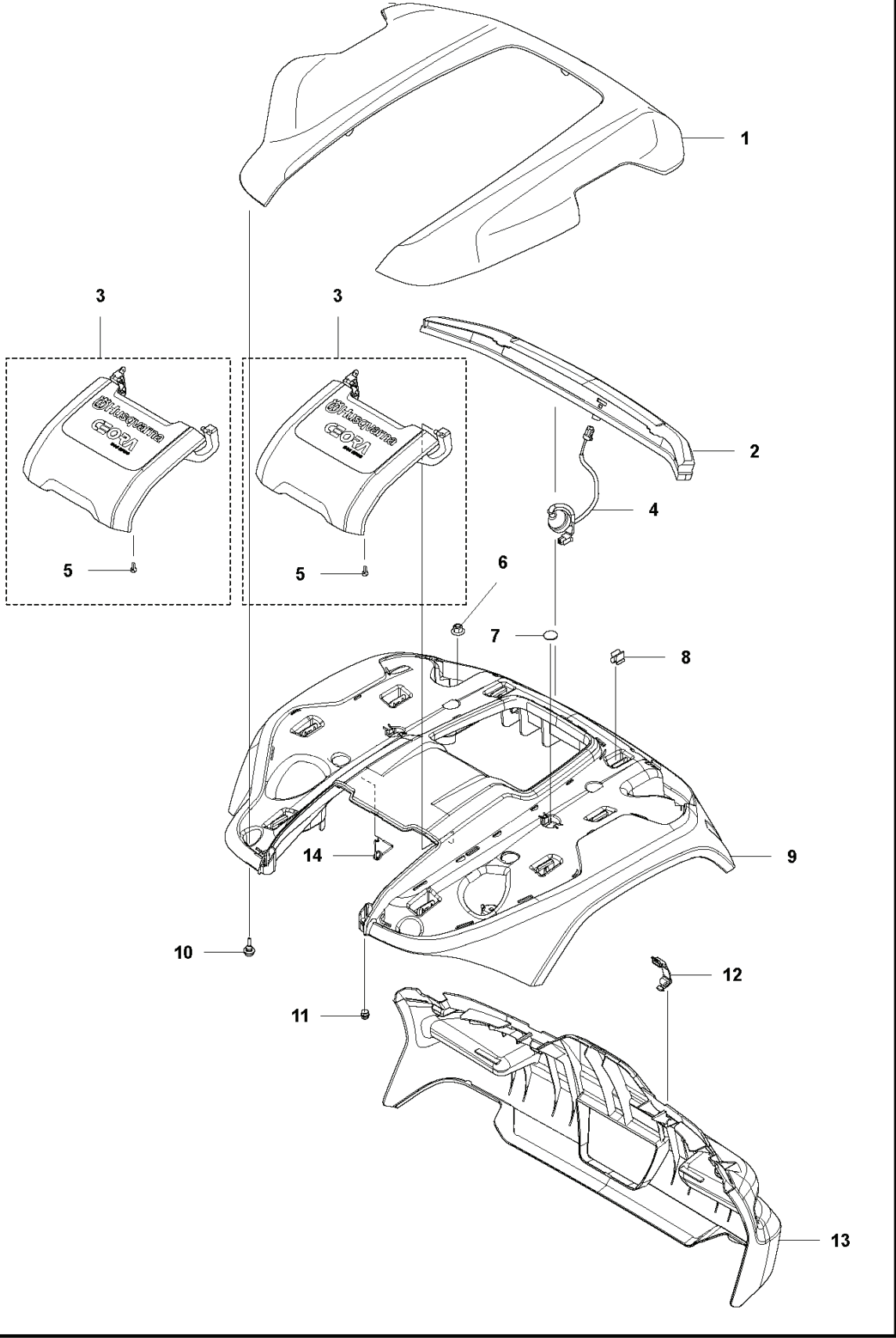
**SPARE PARTS CATALOGUE**  
**: HUSQVARNA CEORA™ 546 EPOS™**

Spare Parts List

---

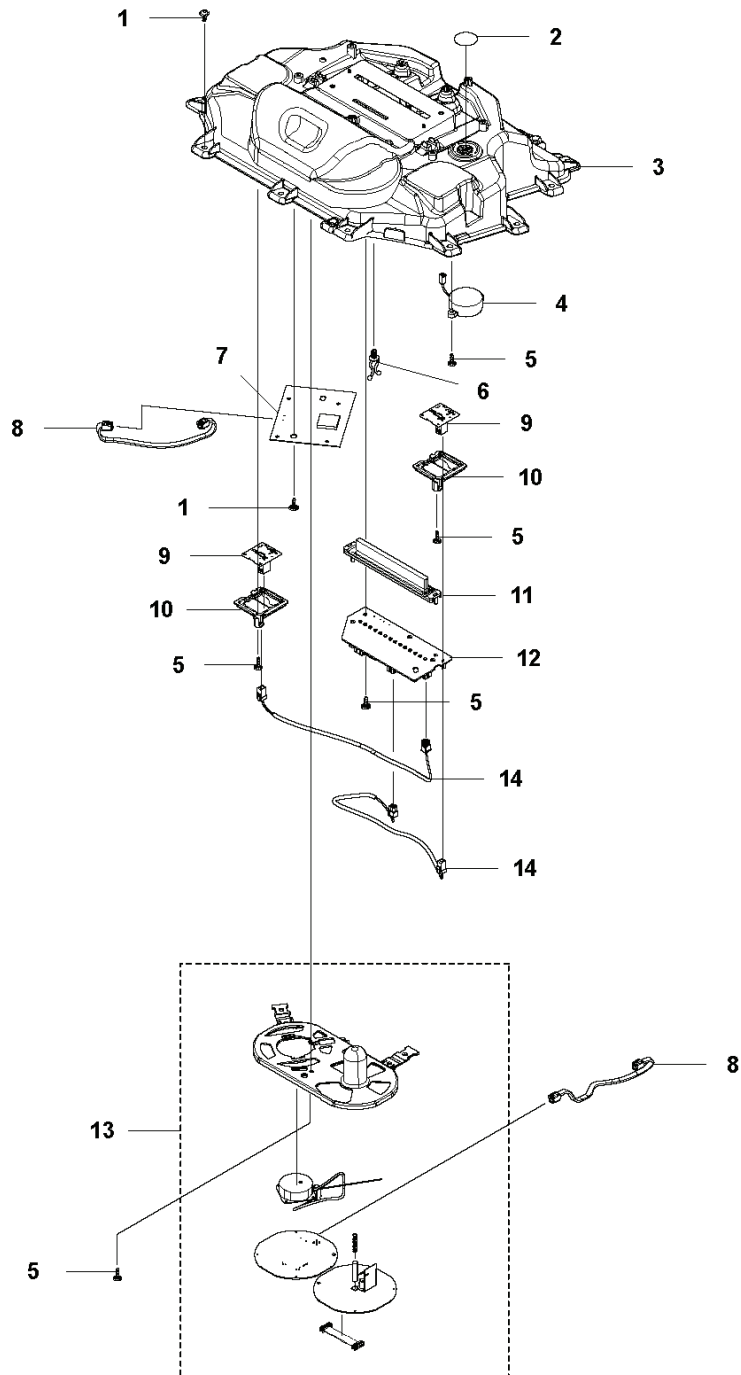
# **SPARE PARTS LIST**

**A** CEORA 544 EPOS, CEORA 546 EPOS  
COVER



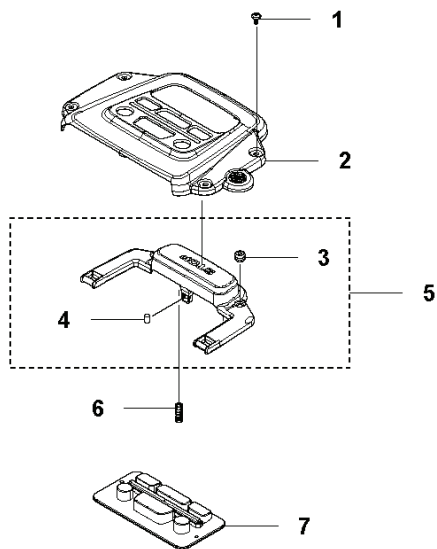
PXM_REF	PXM_PARTNO	BESCHREIBUNG	PXM_REMARK	
1	597321001	DECKEL	Top cover	1
2	597276901	VERKABELUNG KPL.	LED light rear	1
3	535592201	HATCH KIT	Hatch CEORA 544 EPOS inc. screws	1
3	535592301	HATCH KIT	Hatch CEORA 546 EPOS inc. screws	1
4	599597602	VERKABELUNG KPL.	Wiring assy Led Light 3P Rear	1
5	577745901	SCREW ITXSCT	Screw	2
6	576645703	MUTTER	Nut flange	4
7	593822101	MAGNET	Magnet	2
8	593778401	KLAMMER	Clip Body connection	8
9	597320801	KÖRPER	Body	1
10	503846101	PUFFER	Buffer	2
11	593778501	MAGNET	Magnet	2
12	595303003	SCHNAPPVERSCHLUSS	Snap locking	4
13	597320901	STOSSFÄNGER	Bumper	1
14	504124101	FEDER	Spring	2

**B** CEORA 544 EPOS, CEORA 546 EPOS  
CHASSIS UPPER



PXM_REF	PXM_PARTNO	BESCHREIBUNG	PXM_REMARK		
1	574450101	SCHRAUBE	Screw	2	
2	577753701	FILTER	Air Filter	1	
3	597983801	RAHMEN	Chassis upper	1	
4	599391501	SUMMER	Buzzer	1	
5	575543314	SCHRAUBE	Screw	9	
6	580682901	TOOL HOLDER	Holder twist lock	2	
7	586662311	GPS MODULE	Communication circuit board, CBT5 . US/CA	1	
7	586662313	GPS MODULE	Communication circuit board, CBT5	1	
8	536253903	VERKABELUNG KPL.	Wiring assy Modular jack	1	
9	597392501	PLATINE KPL.	Magnetic sensor circuit board	2	
10	591494301	GRIFF	Holder magnetic sensor board	2	
11	598743601	FÜHRUNG	Light guide	1	
12	597387201	PLATINE KPL.	HMI circuit board	1	
13	599308601	HALTER KPL.	RTK module / RTK module 868MHz Europe	1	
13	599308602	HALTER KPL.	RTK module / RTK module 915MHz North america	1	
13	599308603	HALTER KPL.	RTK module / RTK module 915MHz New Zealand	1	
13	599308604	HALTER KPL.	RTK module / RTK module 915MHz Australia	1	
14	595311601	VERKABELUNG KPL.	Wiring assy Magnetic & Loop sensor	2	

**C** CEORA 544 EPOS, CEORA 546 EPOS  
CENTER CONSOLE

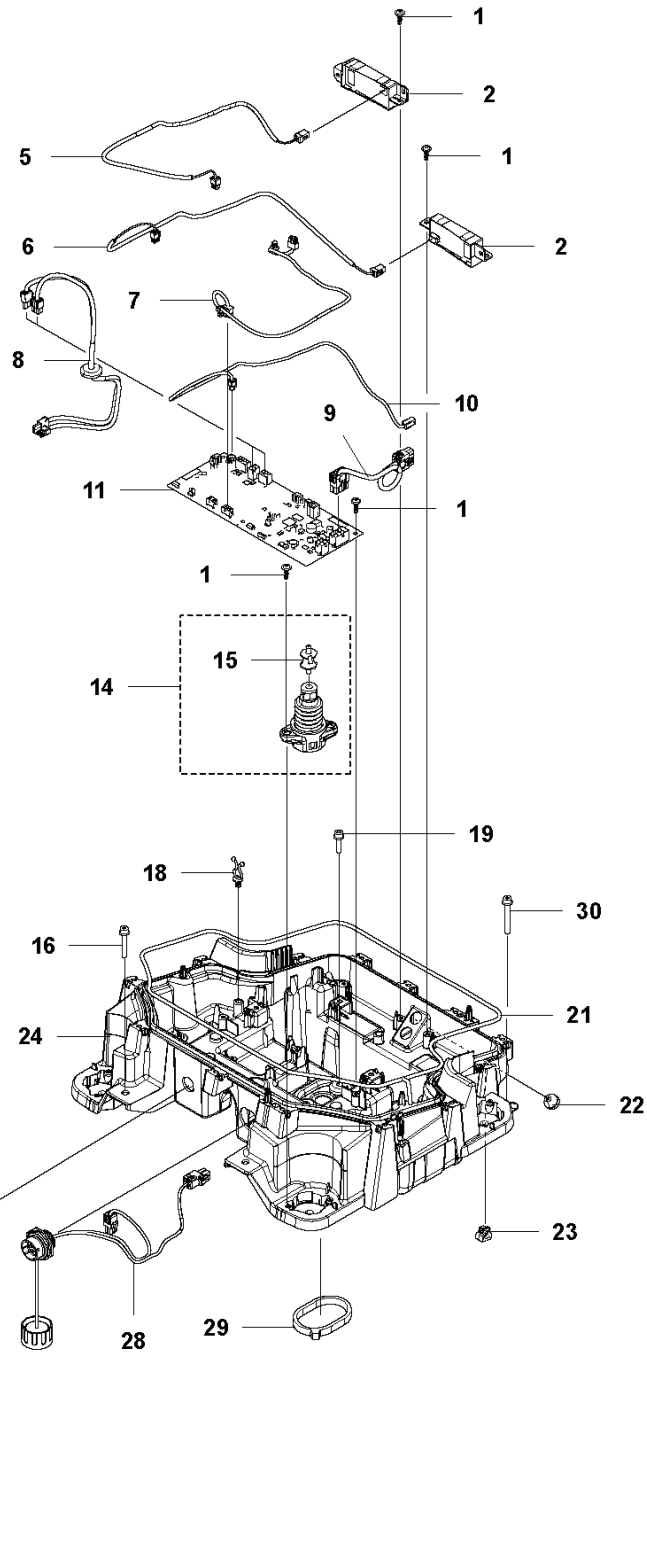


---

PXM_REF	PXM_PARTNO	BESCHREIBUNG	PXM_REMARK		
1	575543314	SCHRAUBE	Screw	4	
2	597984001	DECKEL	Cover	1	
3	529905601	DICHTSCHEIBE	Grommet	2	
4	598460901	MAGNET	Magnet	1	
5	535592401	BUTTON KIT	Stop button	1	
6	576242201	FEDER	Spring Lock stop button	2	
7	597973001	TASTATUR	Keypad	1	

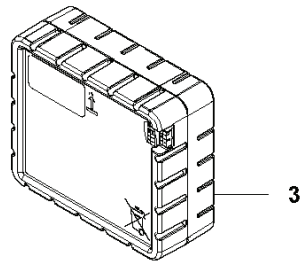
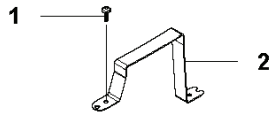


**D** CEORA 544 EPOS, CEORA 546 EPOS  
CHASSIS LOWER



PXM_REF	PXM_PARTNO	BESCHREIBUNG	PXM_REMARK	
1	574450101	SCHRAUBE	Screw	14
2	599474901	GEHÄUSE KPL.	Loop sensor circuit board	2
5	595311604	VERKABELUNG KPL.	Wiring assy Magnetic & loop sensor	1
6	595311604	VERKABELUNG KPL.	Wiring assy Magnetic & loop sensor	1
7	597276201	VERKABELUNG KPL.	Wiring assy application board to HMI PCBA	1
8	597276501	VERKABELUNG KPL.	Wiring assy application board motor control board	1
9	597276401	VERKABELUNG KPL.	FROM S/N 222406529, except S/N 222704691, 222704692, Wiring assy chassis to app board & battery	1
9	536878601	VERKABELUNG KPL.	UP TO S/N 222406528, and S/N 222704691, 222704692, Wiring assy chassis to app board & battery	1
10	597277401	VERKABELUNG KPL.	Wiring assy led light rear	1
11	597562201	PLATINE KPL.	Application circuit board	1
14	598446501	JOYSTICK ASSY	Joystick assy	4
15	598483301	DÄMPFER	Damper	4
16	529791401	SCHRAUBE	Screw	2
18	580682901	TOOL HOLDER	Holder twist lock	5
19	598570801	SCHRAUBE	Screw	6
21	574874709	DICHTUNGSTREIFEN	Sealing strip	1
22	584897501	DICHTSCHEIBE	Grommet	1
23	598004501	EINSATZ	Insert	16
24	597950401	RAHMEN	Chassis lower	1
26	599671701	VERKABELUNG KPL.	Service outlet plug / USB Service outlet plug	1
27	599671801	HUT	Cap sealing for USB	1
28	597276003	VERKABELUNG KPL.	FROM S/N 224610358, Charging cable	1
28	597276002	VERKABELUNG KPL.	S/N 222103214-222103229 and S/N 222301671-224610357 Charging cable	1
28	537485201	VERKABELUNG KPL.	Up TO S/N 222301670 except S/N 222103214-222103229, Charging chain kit.See SB B1220029A-07	1
29	599433601	DICHTUNG	Sealing	1
30	529791402	SCHRAUBE	Screw	2

**E** CEORA 544 EPOS, CEORA 546 EPOS  
BATTERY

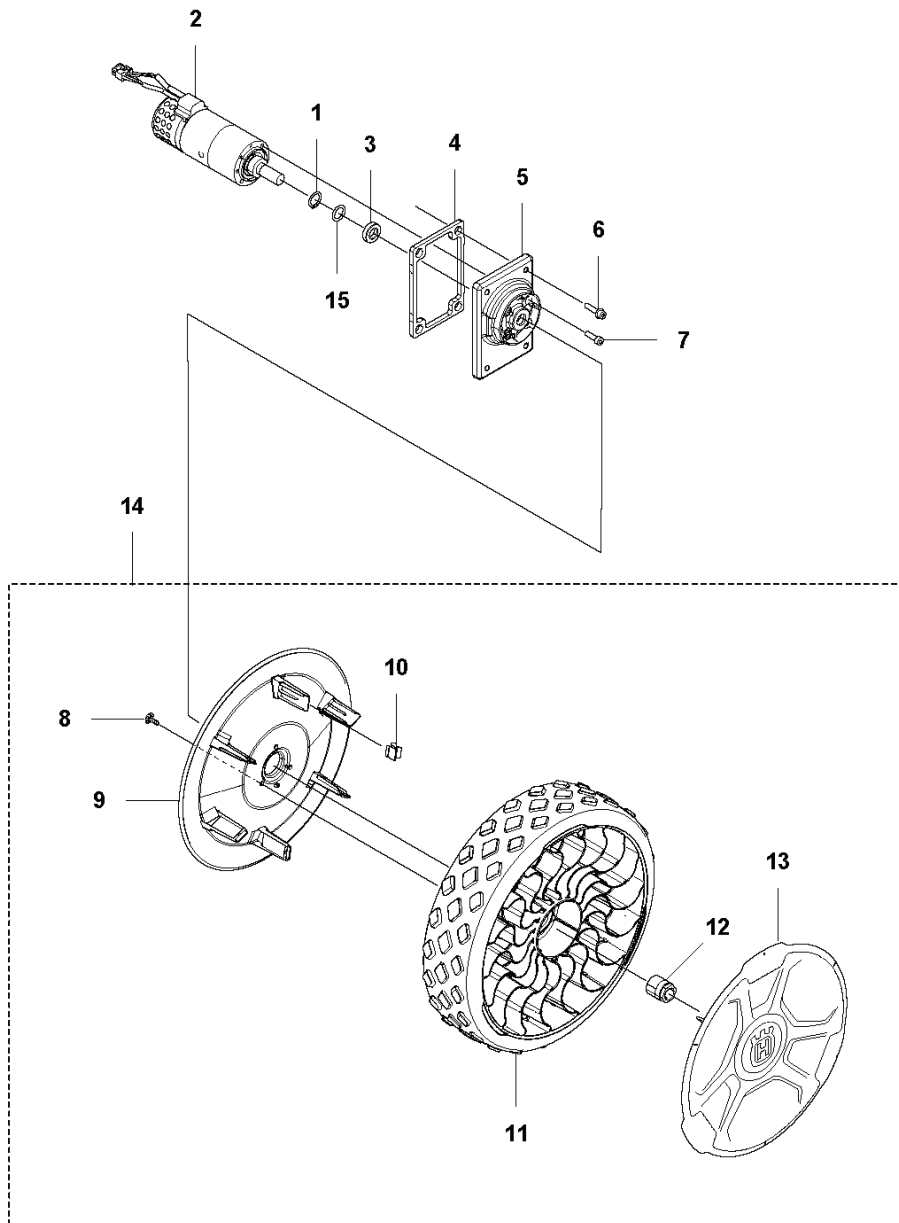


PXM_REF	PXM_PARTNO	BESCHREIBUNG	PXM_REMARK		
1	574450101	SCHRAUBE	Screw	4	
2	599374201	GRIFF	Holder Battery	2	
3	593785501	BATTERIE	Battery, Up to S/N 224610357, See Service Bulletin B1220032B-07	1	
3	593785502	BATTERIE	Battery, From S/N 224610358	1	
3	538990201	BATTERIE	Upgrade Battery KIT incl. Drive unit cable and Chassis cable, Up to S/N 224610357, See Service Bulletin B1220032B-07	1	
3	538985901	BATTERIE	Upgrade Battery KIT incl. Drive unit cable, Up to S/N 224610357, See Service Bulletin B1220032B-07	1	



PXM_REF	PXM_PARTNO	BESCHREIBUNG	PXM_REMARK		
1	529791401	SCHRAUBE	Screw	8	
2	529791402	SCHRAUBE	Screw	8	
3	529551101	BUSHING	Bushing	1	
4	525762503	SCHRAUBE	Screw	1	
6	529551201	GELENK	Joint	1	
7	578119101	HÜLSE	Sleeve	8	
8	535593301	GRIFF	Holder assy	1	
12	599665701	DICHTSCHEIBE	Grommet	2	
13	599309201	PROFIL	Profile drive motor	1	
14	597277001	VERKABELUNG KPL.	Wiring assy wheel brush motor	2	
15	525755105	SCHRAUBE	Screw	4	
16	596888501	PLATINE KPL.	Motor control circuit board drive unit	1	
17	599282201	DICHTUNG	Sealing	1	
18	599487401	FILTER	Nut	1	
19	599271901	DECKEL	Lid	1	
20	598570801	SCHRAUBE	Screw	14	
21	599475901	FILTER	Filter	1	
22	731432201	SECHSKANT-FLACHMUTTER	Nut	1	

**G** CEORA 544 EPOS, CEORA 546 EPOS  
WHEELS & TIRES



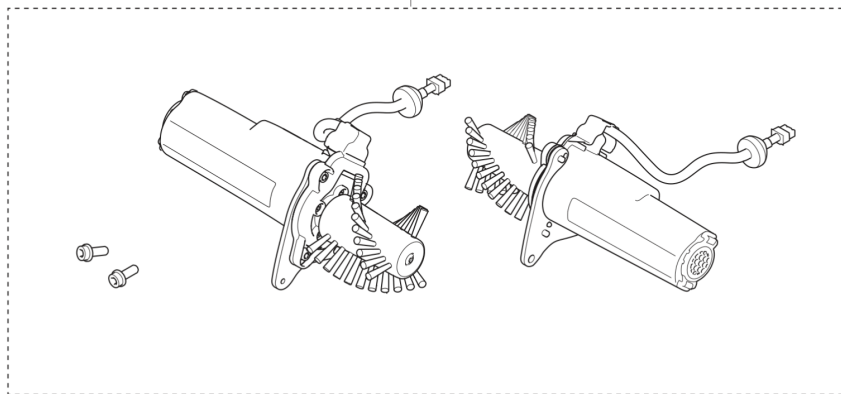
---

PXM_REF	PXM_PARTNO	BESCHREIBUNG	PXM_REMARK	
1	735311700	SICHERUNGSRING	Circlip	2
2	597497501	RADMOTOR	Wheel motor	2
3	599714401	RADIALDICHTUNG	Radial seal	2
4	599142701	DICHTUNG	Gasket	2
5	598867601	BEFESTIGUNGLASCHE	Flange	2
6	598570801	SCHRAUBE	Screw	8
7	725532901	SCHRAUBE	Screw	8
8	574450101	SCHRAUBE	Screw	6
9	597976101	DECKEL	Cover	2
10	593778401	KLAMMER	Clip	12
11	536888701	LAUFRAD	Drive wheel	1
12	599786001	KLEMMHÜLSE	Collect	2
13	597976201	RADKAPPE	Hub cap wheel	2
14	535590201	WHEEL KIT	Drive wheel kit	2
15	740431300	O-RING	O-ring	2

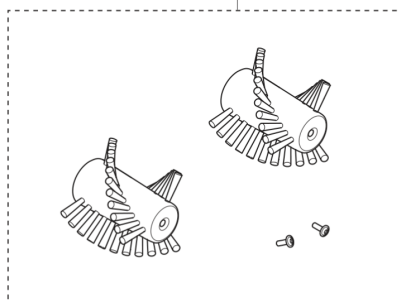


**H** CEORA 544 EPOS, CEORA 546 EPOS  
ACCESSORIES

1



2



3



---

PXM_REF	PXM_PARTNO	BESCHREIBUNG	PXM_REMARK
1	529318901	BÜRSTENSATZ	Wheel brush start kit 1
1	529318910	BÜRSTENSATZ	Wheel brush start kit US 1
2	529318801	BÜRSTENSATZ	Wheel brush refill kit 1
3	580689502	AUFKLEBER	Warranty seal 1 pcs 1