

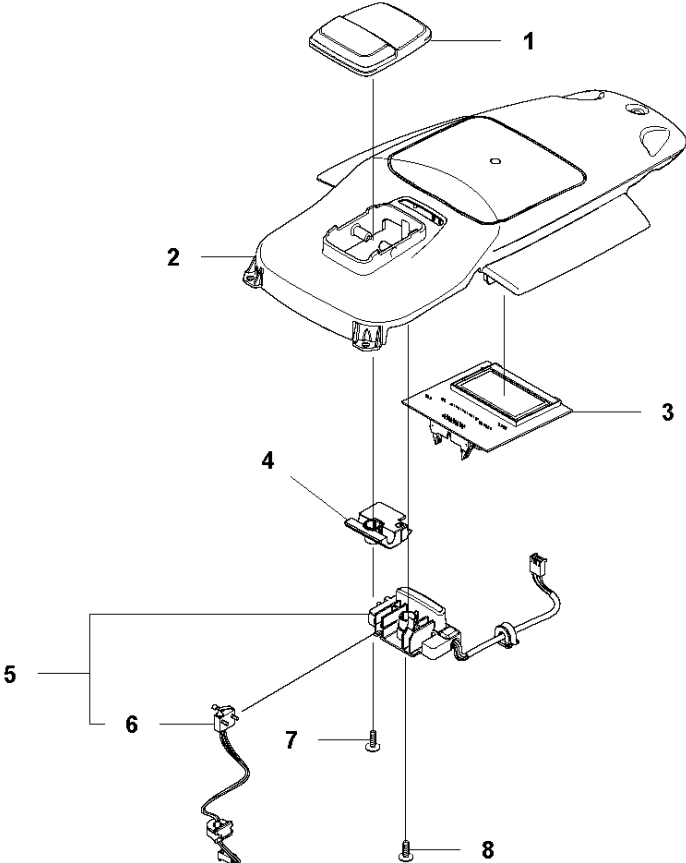


SPARE PARTS LIST

ROBOTIC LAWN MOWERS

AUTOMOWER 520, 2020-

C AUTOMOWER 520, 550
CENTER CONSOL

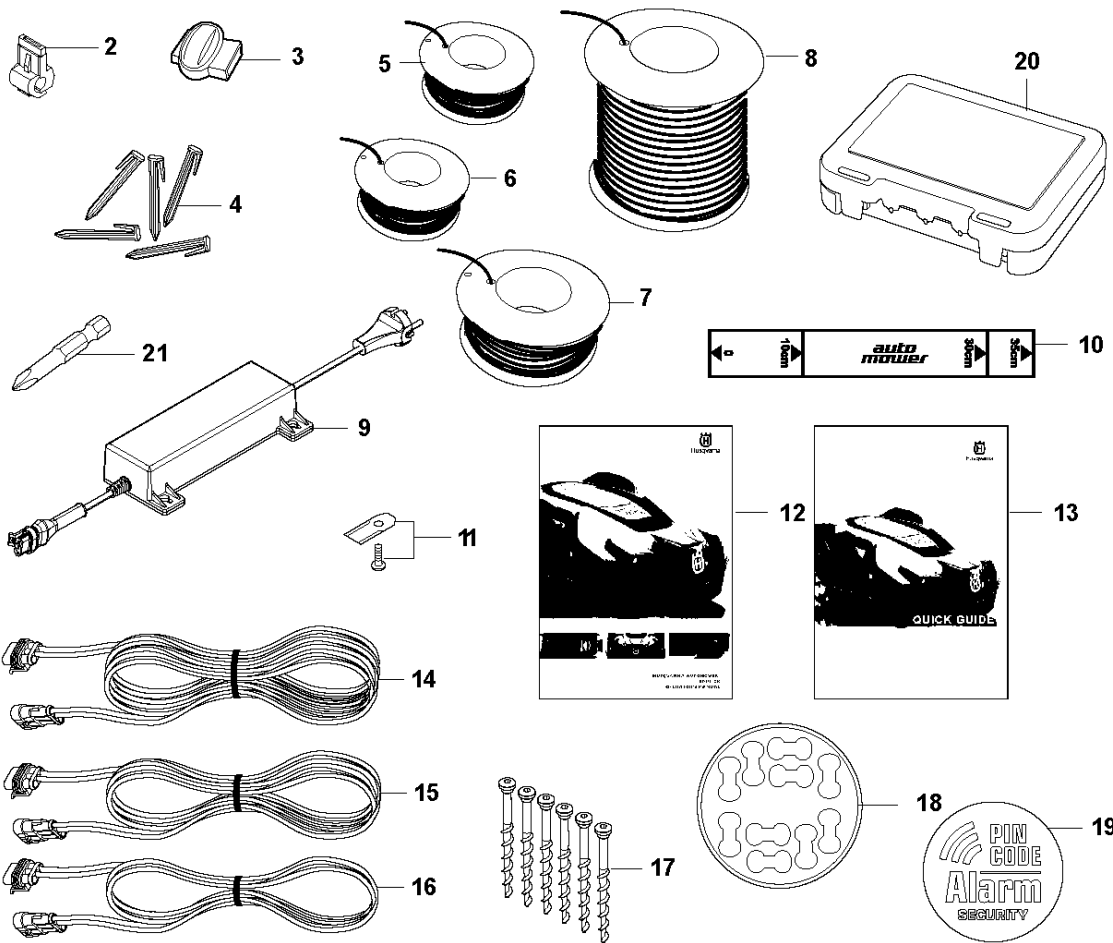
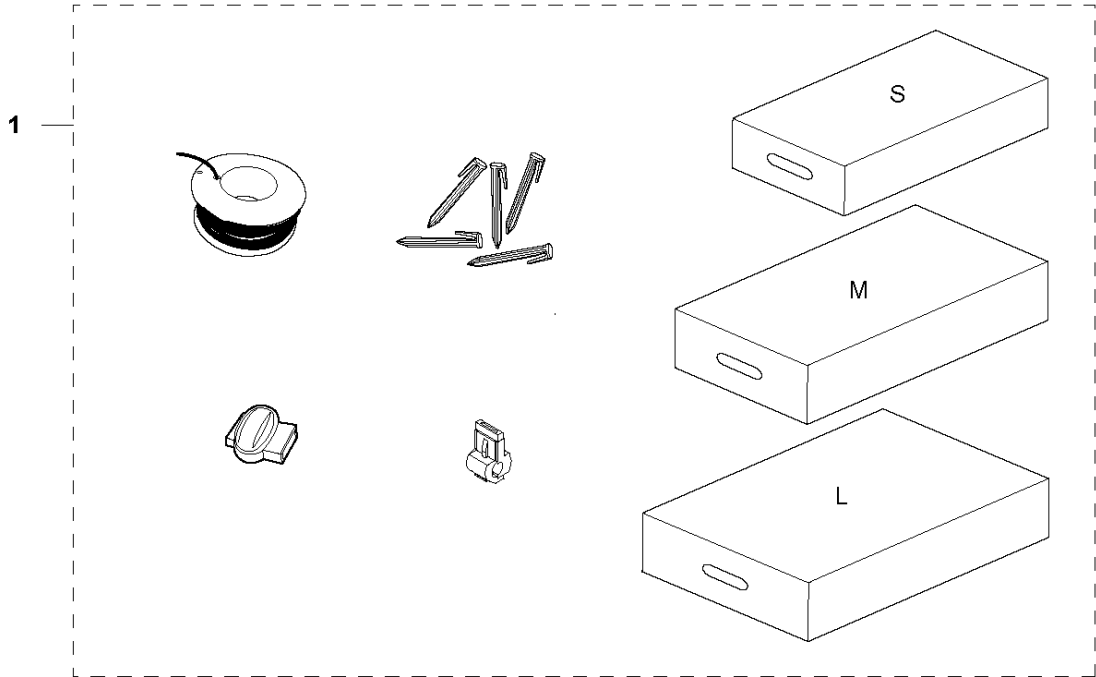


CENTER CONSOL

AUTOMOWER 520, 2020-

| Ref | Part No | Description | Remark | QTY | KIT |
|-----|--------------|----------------------|---------------------|-----|-----|
| 1 | 589 33 61-01 | BUTTON | Button Start /Stop | 1 | |
| 2 | 589 33 60-01 | CONSOLE | Console Center | 1 | |
| 3 | 592 91 04-01 | PRINTED CIRCUIT ASSY | Printed Circuit HMI | 1 | |
| 4 | 589 33 62-01 | SUPPORT | Support | 1 | |
| 5 | 589 33 66-01 | HOUSING ASSY | Housing Assy | 1 | |
| 6 | 574 48 03-02 | SWITCH | Switch micro | 1 | 5 |
| 7 | 575 54 33-14 | SCREW | Screw | 1 | |
| 8 | 575 54 33-14 | SCREW | Screw | 1 | |

H AUTOMOWER 520, 550 INSTALLATION ACCESSORIES

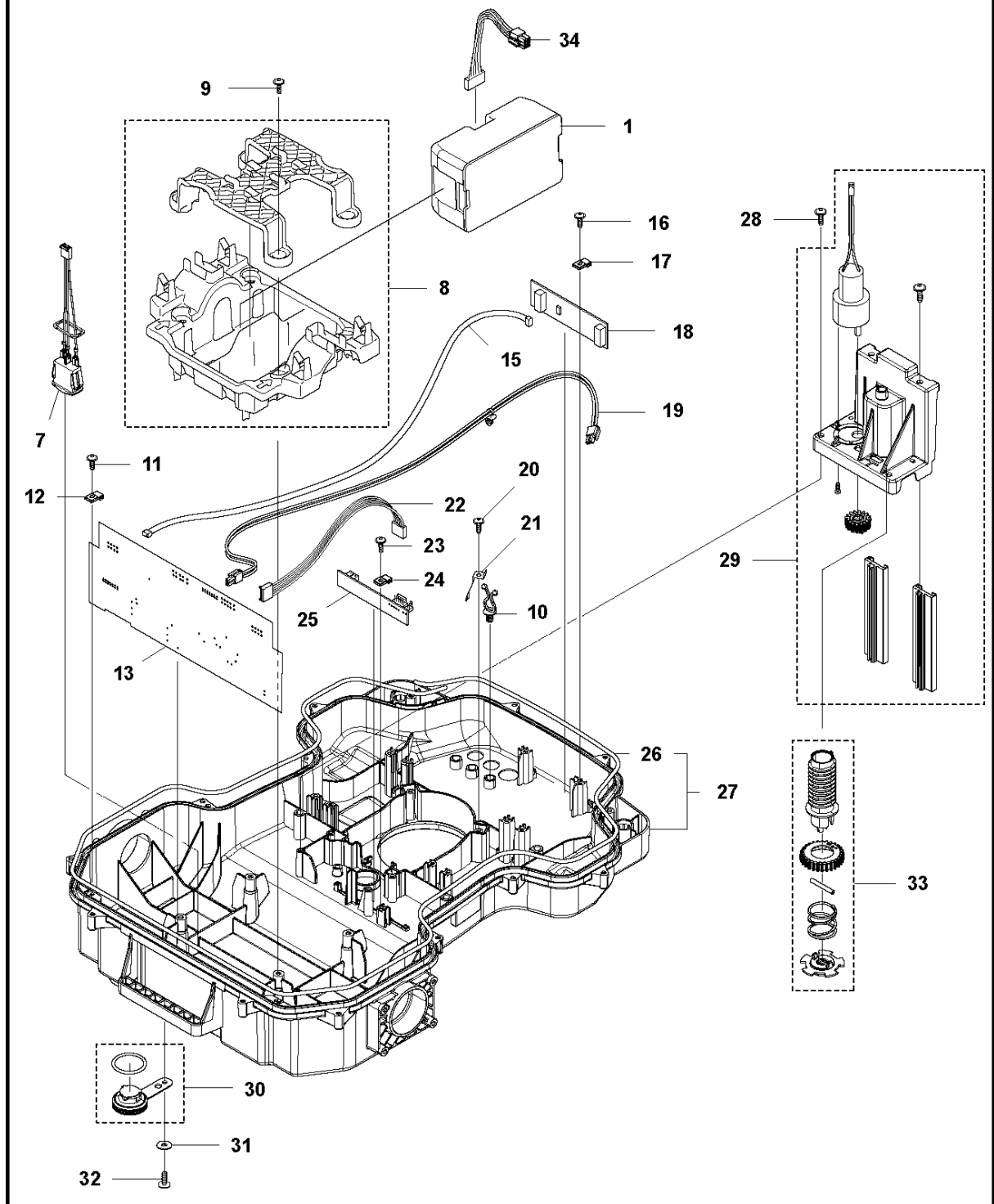
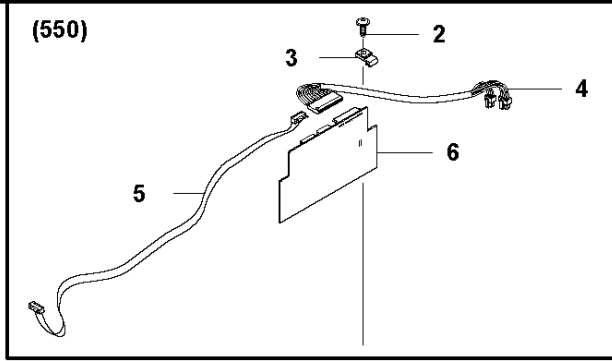


INSTALLATION ACCESSORIES

AUTOMOWER 520, 2020-

| Ref | Part No | Description | Remark | QTY | KIT |
|-----|--------------|------------------|--|-----|-----|
| 1 | 967 62 36-01 | INSTALLATION KIT | Installation KIT S Wire (150 m), Staples (300 pcs), Connectors (5 pcs), Couplers (3 pcs) | 1 | |
| 1 | 967 62 36-02 | INSTALLATION KIT | Installation KIT M Wire (250 m), Staples (400 pcs), Connectors (5 pcs), Couplers (3 pcs) | 1 | |
| 1 | 967 62 36-03 | INSTALLATION KIT | Installation KIT L Wire (400 m), Staples (600 pcs), Connectors (5 pcs), Couplers (5 pcs) | 1 | |
| 2 | 535 12 90-01 | CONNECTOR | Loop Wire Connector | 1 | 1 |
| 2 | 577 86 48-01 | CONNECTOR | Loop Wire Connector, Blister Pack, 5 pcs | 1 | |
| 2 | 535 12 90-02 | CONNECTOR | Loop Wire Connector, 100pcs | 1 | |
| 3 | 501 98 02-01 | COUPLER | Coupler | 1 | 1 |
| 3 | 577 86 47-01 | COUPLER | Coupler, Blister pack, 5 pcs | 1 | |
| 3 | 501 98 02-03 | COUPLER | Coupler, 100 pcs | 1 | |
| 4 | 577 86 42-01 | STAPLE | Staple, 85 mm, Blister pack, 100 pcs | 1 | |
| 4 | 583 97 34-01 | STAPLE | Staple, 85 mm, 100 pcs | 1 | 1 |
| 5 | 577 86 43-02 | WIRE | Wire, Blister pack (50 m) | 1 | |
| 5 | 580 66 20-02 | WIRE | Wire (150 m) | 1 | 1 |
| 5 | 577 86 43-01 | WIRE | Wire, Blister pack, (150 m) | 1 | |
| 6 | 580 66 20-01 | WIRE | Wire (250 m) | 1 | 1 |
| 7 | 522 91 41-01 | WIRE | Wire (500 m, Ø3.4 mm) | 1 | |
| 8 | 580 66 20-04 | WIRE | Wire (800 m) | 1 | |
| 9 | 590 44 23-01 | POWER UNIT | Power Supply Unit (EU) 520 | 1 | |
| 9 | 590 44 23-02 | POWER UNIT | Power Supply Unit (UK/IRL) 520 | 1 | |
| 9 | 586 75 53-03 | POWER UNIT | Power Supply Unit (CH) 520 | 1 | |
| 9 | 586 75 53-04 | POWER UNIT | Power Supply Unit (US/CA) 520 | 1 | |
| 9 | 586 75 53-05 | POWER UNIT | Power Supply Unit (AU/NZ) 520 | 1 | |
| 10 | 544 17 75-01 | MEASURING TAPE | Measuring Tape | 1 | |
| 11 | 577 86 46-03 | BLADE SET | Long Life Safety Blade, Blister Pack, 9 pcs | 1 | |
| 11 | 577 60 65-05 | BLADE SET | Long Life Safety Blade, 45 pcs | 1 | |
| 11 | 577 60 66-04 | BLADE SET | Long Life Safety Blade, 300 pcs | 1 | |
| 14 | 579 82 51-01 | CABLE ASSY | Low Voltage Cable 20 m | 1 | |
| 15 | 579 82 51-02 | CABLE ASSY | Low Voltage Cable 10 m | 1 | |
| 16 | 579 82 51-03 | CABLE ASSY | Low Voltage Cable 3 m | 1 | |
| 17 | 575 23 86-01 | SCREW KIT | Screw KIT, 6 pcs | 1 | |
| 17 | 577 86 49-01 | SCREW | Screw KIT, Blister Pack, 3 pcs | 1 | |
| 18 | 586 27 79-01 | STICKER | Sticker Cable markers, 10 pcs | 1 | |
| 19 | 579 57 12-01 | LABEL | Label Alarm | 1 | |
| 20 | 590 85 50-01 | BOX | Cable Connector Protection | 1 | |
| 21 | 596 33 98-01 | TOOL | Bit for Automower blades MOQ 5 pcs | 1 | |

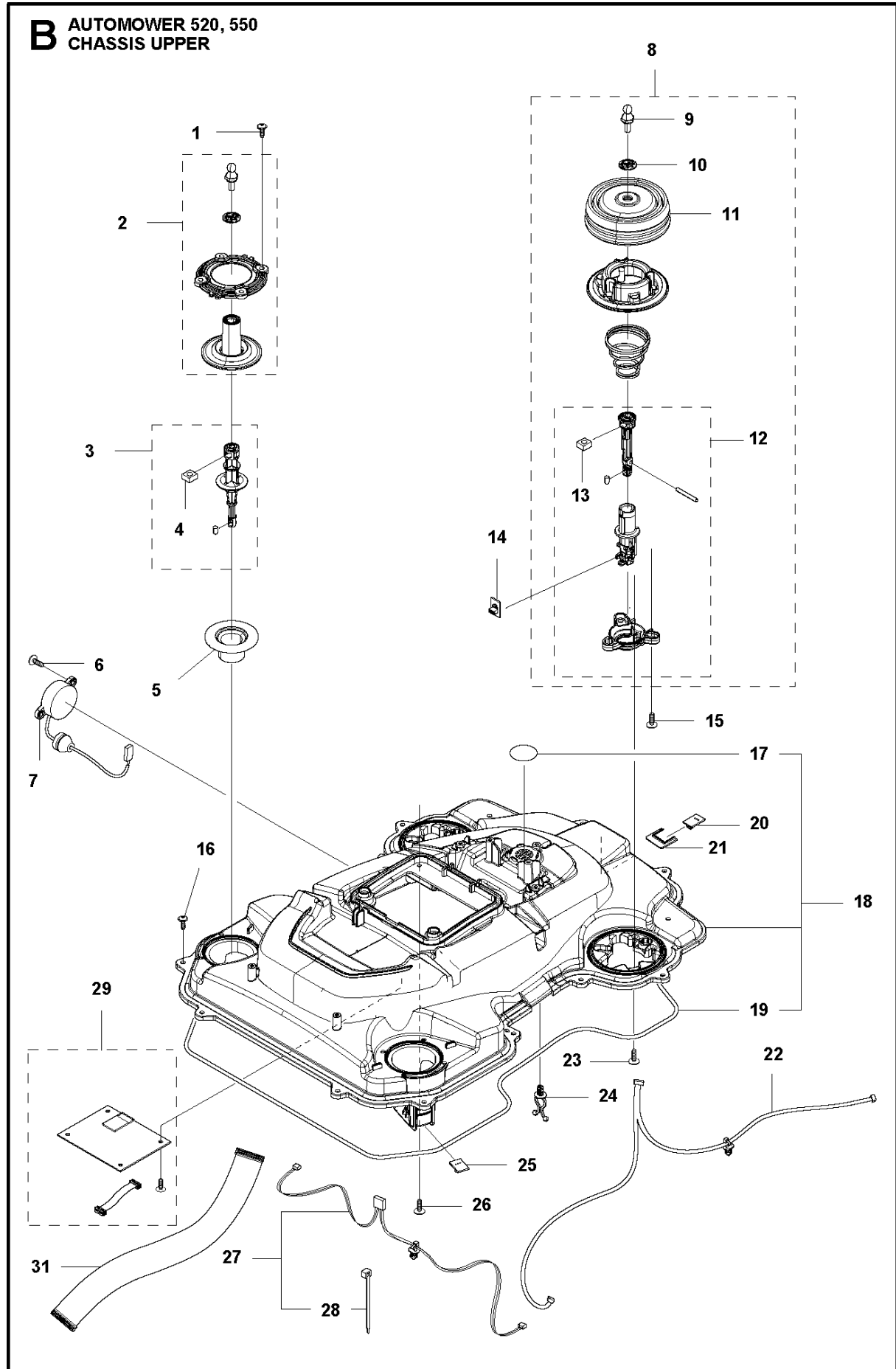
D AUTOMOWER 520, 550
CHASSIS LOWER



CHASSIS LOWER

AUTOMOWER 520, 2020-

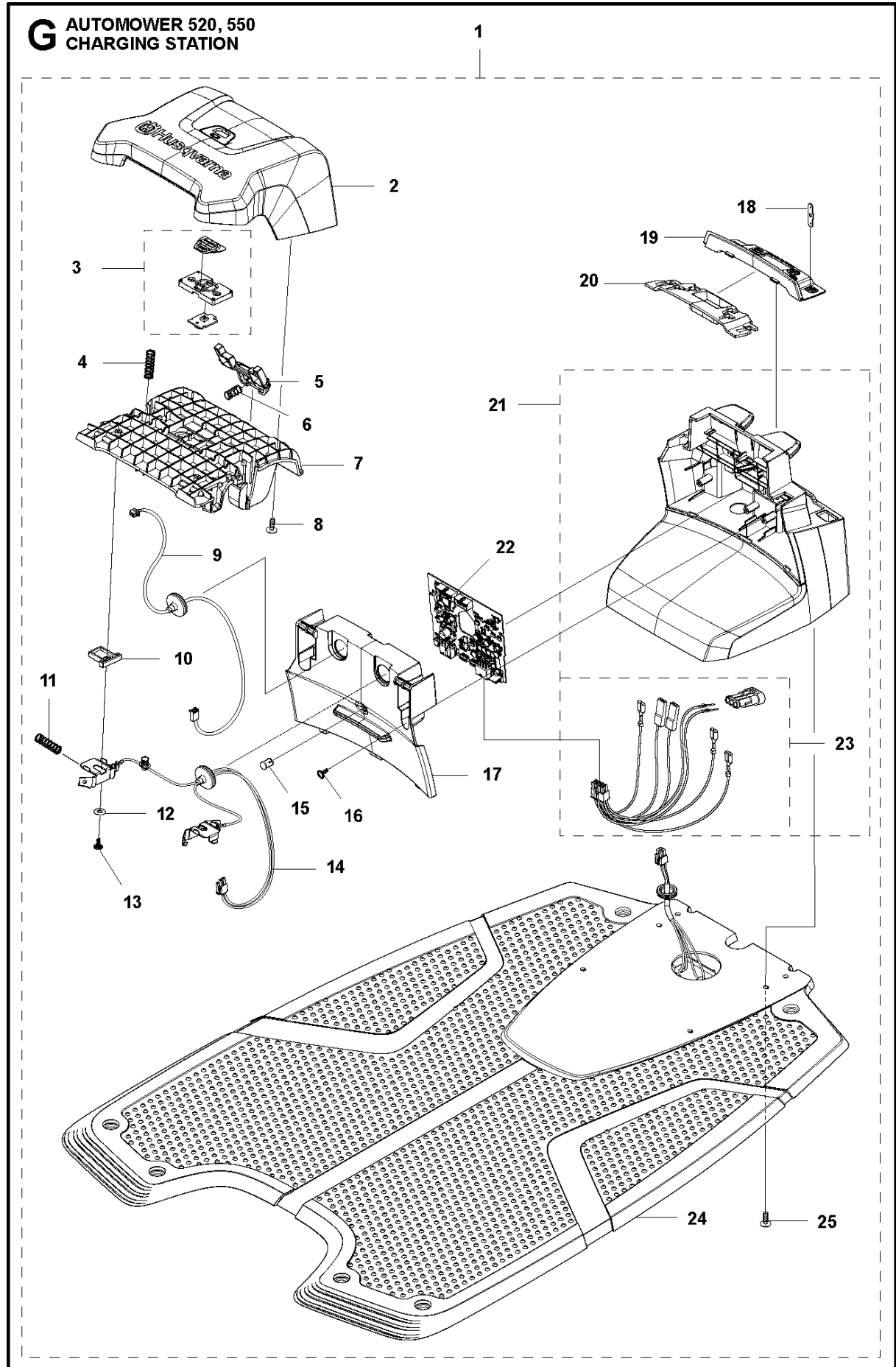
| Ref | Part No | Description | Remark | QTY | KIT |
|-----|--------------|----------------------|--------------------------------------|-----|-----|
| 1 | 593 24 74-01 | BATTERY | Battery AM520 | 1 | |
| 2 | 575 54 33-14 | SCREW | Screw | 2 | |
| 3 | 579 52 94-01 | CLAMP | Clamp | 2 | |
| 4 | 580 61 44-01 | WIRING ASSY | US-Extension Wiring | 1 | |
| 5 | 579 70 86-01 | WIRING ASSY | AUX Cable | 1 | |
| 6 | 578 28 57-01 | PRINTED CIRCUIT ASSY | Printed Circuit Ultrasonic | 1 | |
| 7 | 579 70 87-01 | WIRING ASSY | Switch On-Off | 1 | |
| 8 | 596 49 47-01 | HOLDER KIT | Holder | 1 | |
| 9 | 574 45 01-01 | SCREW ITXPANT | Screw | 5 | |
| 10 | 580 68 29-01 | HOLDER | Holder Twist Lock | 7 | |
| 11 | 575 54 33-14 | SCREW | Screw | 2 | |
| 12 | 579 52 94-01 | CLAMP | Clamp | 2 | |
| 13 | 592 85 26-01 | PRINTED CIRCUIT ASSY | Main Board | 1 | |
| 15 | 579 70 82-01 | WIRING ASSY | Sensor Cable | 1 | |
| 16 | 575 54 33-14 | SCREW | Screw | 2 | |
| 17 | 579 52 94-01 | CLAMP | Clamp | 2 | |
| 18 | 592 85 27-01 | PRINTED CIRCUIT ASSY | Printed Circuit Loop Sensor | 1 | |
| 19 | 580 37 07-02 | LOOM | Charging Cable | 1 | |
| 20 | 575 54 33-14 | SCREW | Screw | 2 | |
| 21 | 581 55 61-01 | SPRING | Spring | 2 | |
| 22 | 579 70 80-01 | WIRING ASSY | Height Adjustment Wiring | 1 | |
| 23 | 575 54 33-14 | SCREW | Screw | 1 | |
| 24 | 579 52 94-01 | CLAMP | Clamp | 1 | |
| 25 | 579 72 85-02 | PRINTED CIRCUIT ASSY | Printed Circuit Height Adjustment | 1 | |
| 26 | 574 87 47-05 | SEALING STRIP | Sealing Strip (1 pcs, Ø5 mm) | 1 | 27 |
| 27 | 583 94 45-02 | CHASSIS KIT | Chassis KIT | 1 | |
| 28 | 575 54 33-14 | SCREW | Screw | 4 | |
| 29 | 501 06 83-01 | MOTOR ASSY | Motor KIT | 1 | |
| 30 | 581 62 12-02 | PLUG KIT | Plug KIT | 1 | |
| 31 | 734 11 37-41 | WASHER | Washer | 1 | |
| 32 | 574 45 01-01 | SCREW ITXPANT | Screw | 1 | |
| 33 | 581 62 16-01 | SCREW KIT | Gear KIT | 1 | |
| 34 | 591 20 36-01 | WIRING ASSY | | 1 | |



CHASSIS UPPER

AUTOMOWER 520, 2020-

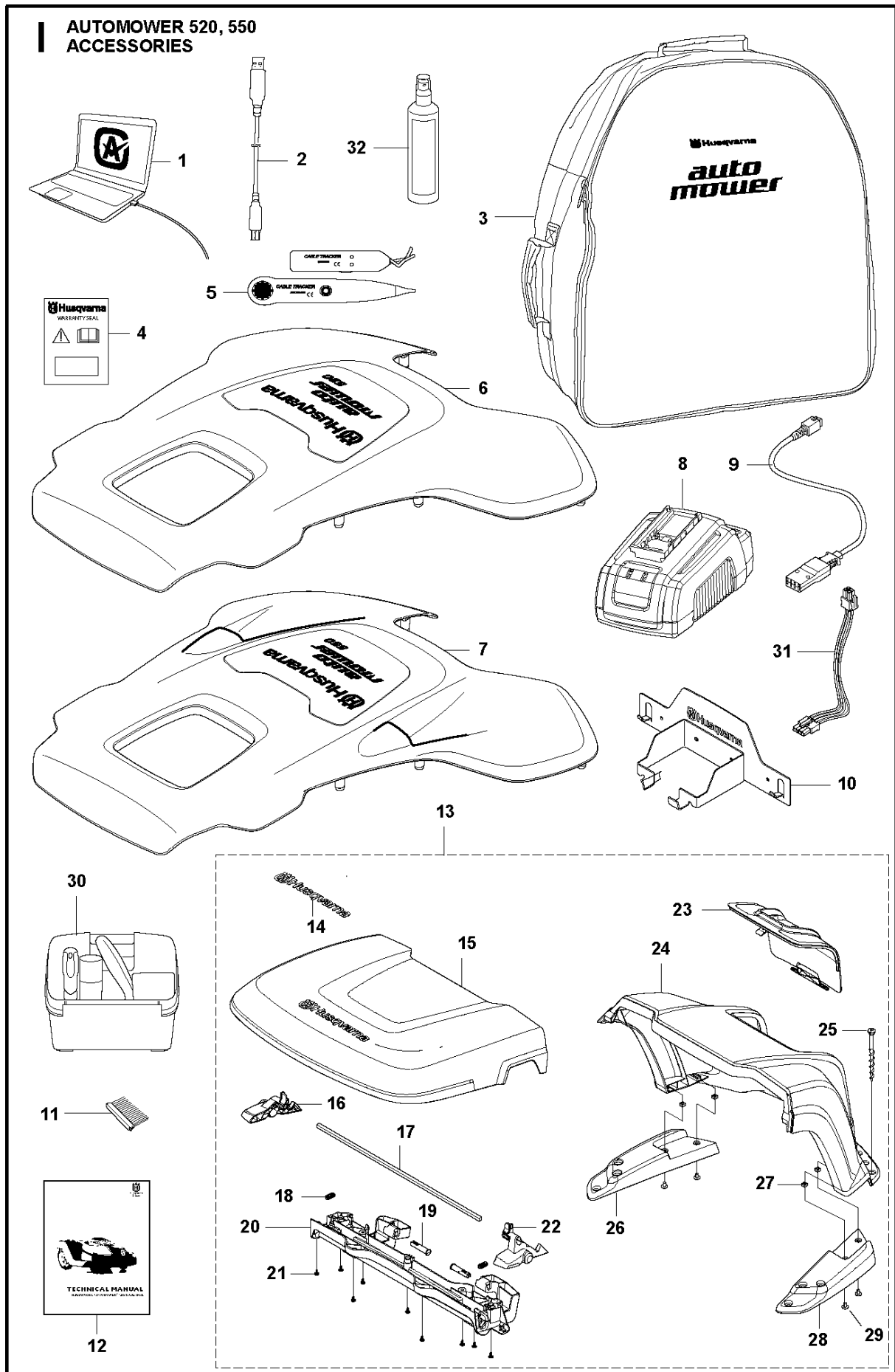
| Ref | Part No | Description | Remark | QTY | KIT |
|-----|--------------|----------------------|------------------------------|-----|------|
| 1 | 574 45 01-01 | SCREW ITXPANT | Screw | 8 | |
| 2 | 501 06 13-01 | JOYSTICK KIT | Joystick KIT Rear | 2 | |
| 3 | 501 12 26-02 | JOYSTICK KIT | Column KIT | 2 | |
| 4 | 503 22 66-01 | SQUARE NUT | Square Nut | 2 | 3 |
| 5 | 535 14 32-01 | DEFLECTION LIMITER | Deflection Limiter | 2 | |
| 6 | 575 54 33-14 | SCREW | Screw | 2 | |
| 7 | 579 70 63-02 | BUZZER | Buzzer | 1 | |
| 8 | 581 62 09-03 | JOYSTICK KIT | Joystick KIT Front | 2 | |
| 9 | 580 52 67-01 | STUD | Stud | 2 | 8 |
| 10 | 579 52 57-01 | WASHER | Washer | 2 | 8 |
| 11 | 579 47 46-01 | BELLOWS | Bellows | 2 | 8 |
| 12 | 587 44 88-02 | JOYSTICK KIT | Joystick KIT | 2 | 8 |
| 13 | 503 22 66-01 | SQUARE NUT | Square Nut | 2 | 8,12 |
| 14 | 592 85 23-01 | PRINTED CIRCUIT ASSY | PCBA Lift Sensor | 2 | |
| 15 | 575 54 33-14 | SCREW | Screw | 6 | |
| 16 | 574 45 01-01 | SCREW ITXPANT | Screw | 14 | |
| 17 | 577 75 37-01 | AIR FILTER | Air Filter 10 pcs | 1 | 18 |
| 18 | 581 62 08-02 | CHASSIS KIT | Chassis KIT | 1 | |
| 19 | 574 87 47-05 | SEALING STRIP | Sealing Strip (1 pcs, Ø5 mm) | 1 | 18 |
| 20 | 592 85 24-01 | PRINTED CIRCUIT ASSY | PCBA Collision Sensor | 1 | |
| 21 | 587 83 49-01 | CLIP | Clip | 1 | |
| 22 | 581 66 09-01 | WIRING ASSY | Wiring | 1 | |
| 23 | 574 45 01-01 | SCREW ITXPANT | Screw | 6 | |
| 24 | 580 68 29-01 | HOLDER | Holder Twist Lock | 2 | |
| 25 | 592 85 24-01 | PRINTED CIRCUIT ASSY | PCBA Collision Sensor | 1 | |
| 26 | 574 45 01-01 | SCREW ITXPANT | Screw | 4 | |
| 27 | 581 62 11-01 | LOOM KIT | Wiring KIT | 1 | |
| 28 | 900 23 87-08 | TIE WRAP | Tie Wrap | 2 | 27 |
| 29 | 586 66 23-05 | GPS MODULE | Automower Connect KIT | 1 | |
| 31 | 579 70 62-01 | CABLE ASSY | Wiring | 1 | |



CHARGING STATION

AUTOMOWER 520, 2020-

| Ref | Part No | Description | Remark | QTY | KIT |
|-----|--------------|----------------------|--|-----|-----|
| 1 | 593 78 47-02 | CHARGING STATION | Charging Station | 1 | |
| 2 | 579 44 82-04 | CAP | Cap | 1 | |
| 3 | 501 06 59-01 | BUTTON KIT | Home Button KIT | 1 | |
| 4 | 580 51 14-01 | SPRING | Spring | 2 | |
| 5 | 579 46 24-02 | BUTTON | Button - Release | 1 | |
| 6 | 574 48 70-01 | SPRING | Spring | 1 | |
| 7 | 579 45 80-04 | FRAME | Frame | 1 | |
| 8 | 575 54 33-14 | SCREW | Screw | 4 | |
| 9 | 579 70 83-01 | LOOM | Home Button Wiring | 1 | |
| 10 | 579 46 05-01 | SPACER | Distance | 2 | |
| 11 | 580 51 14-01 | SPRING | Spring | 2 | |
| 12 | 734 11 37-41 | WASHER | Washer | 2 | |
| 13 | 575 54 33-14 | SCREW | Screw | 2 | |
| 14 | 585 53 95-02 | CABLE ASSY | Loom Charging Contact | 1 | |
| 15 | 590 21 72-01 | LENS | Lens | 1 | |
| 16 | 575 54 33-14 | SCREW | Screw | 2 | |
| 17 | 579 45 97-03 | LID | Lid | 1 | |
| 18 | 580 50 41-01 | TERMINAL | Terminal | 5 | |
| 19 | 579 45 98-03 | PANEL | Panel | 1 | |
| 20 | 579 45 99-01 | HOLDER | Holder | 1 | |
| 21 | 588 18 88-01 | HOUSING ASSY | Housing KIT | 1 | |
| 22 | 592 89 45-01 | PRINTED CIRCUIT ASSY | Printed Circuit PCBA Charging Station | 1 | |
| 23 | 588 47 89-01 | CABLE KIT | Cable KIT | 1 | 21 |
| 24 | 590 09 40-01 | BASE ASSY | Charging Plate | 1 | |
| 25 | 575 54 33-14 | SCREW | Screw | 4 | |



ACCESSORIES

AUTOMOWER 520, 2020-

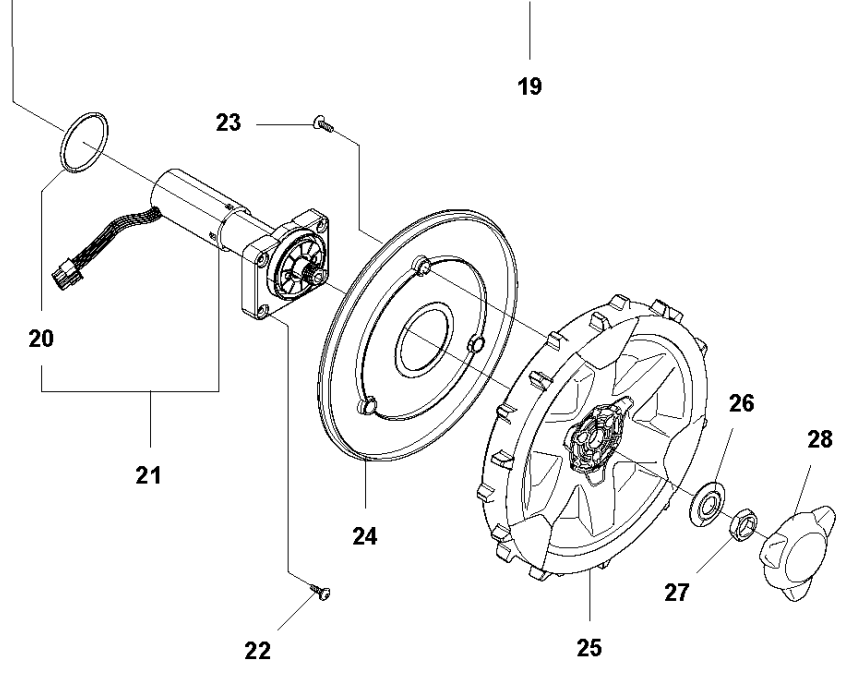
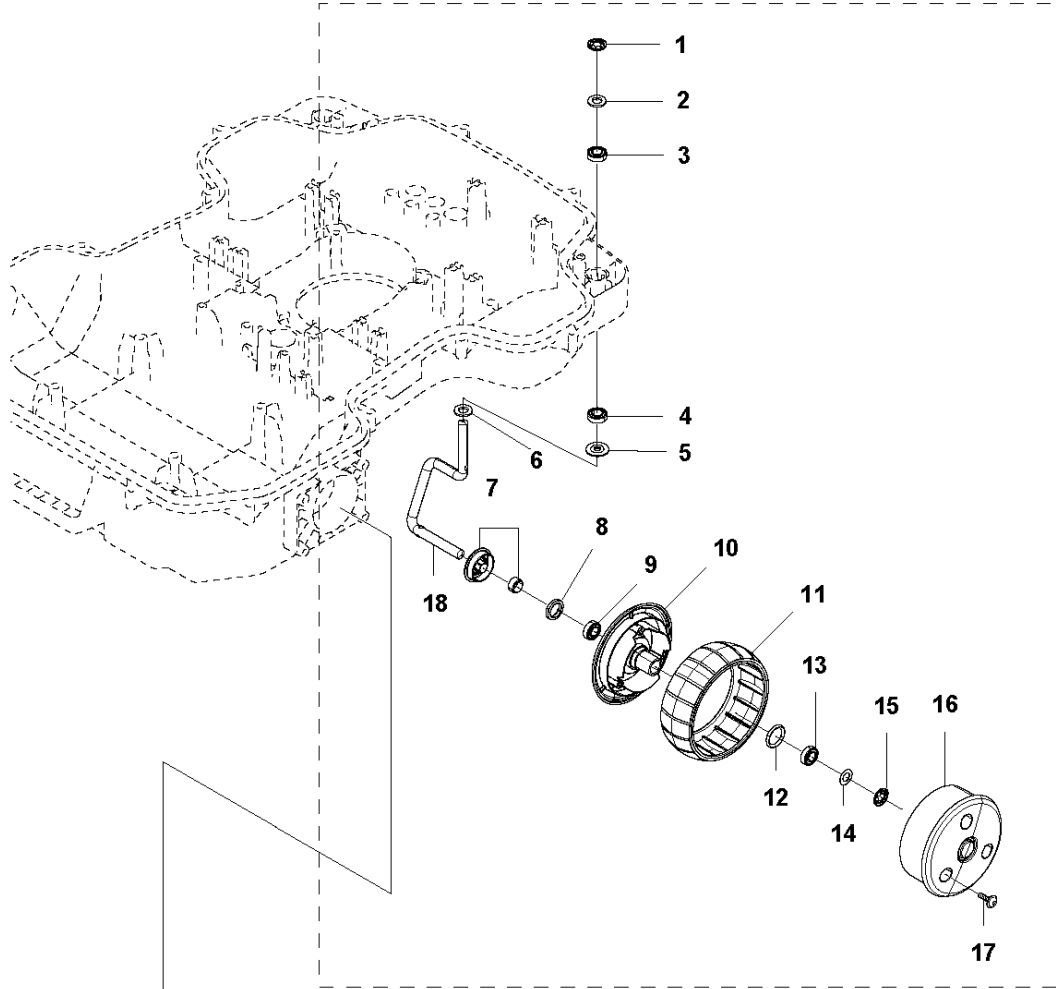
| Ref | Part No | Description | Remark | QTY | KIT |
|-----|--------------|-----------------|---|-----|-----|
| 2 | 577 51 81-02 | CABLE | Service Cable (USB) | 1 | |
| 3 | 522 91 67-01 | BAG | Bag | 1 | |
| 4 | 580 68 95-02 | LABEL | Warranty Seal 1pcs | 1 | |
| 5 | 577 60 68-01 | TEST EQUIPMENT | Interruption Detector | 1 | |
| 6 | 591 49 60-01 | BODY KIT | Cover KIT Top Robotic Grey 520 | 1 | |
| 6 | 591 49 60-02 | BODY KIT | Cover KIT Top Orange 520 | 1 | |
| 7 | 591 49 61-01 | BODY KIT | Cover KIT Top Robotic Grey 550 | 1 | |
| 7 | 591 49 61-02 | BODY KIT | Cover KIT Top Orange 550 | 1 | |
| 8 | 588 40 84-01 | CHARGER | Quick Charger with Battery Test | 1 | |
| 9 | 588 20 26-01 | CABLE ASSY | Cable Quick Charger | 1 | |
| 10 | 585 01 97-02 | WALL HANGER | Wall Hanger | 1 | |
| 11 | 581 98 20-02 | BRUSH KIT | Brush, 6 pcs | 1 | |
| 12 | 115 81 90-01 | WORKSHOP MANUAL | Technical Handbook -420, 430X, 450X Swedish | 1 | |
| 12 | 115 81 90-06 | WORKSHOP MANUAL | Technical Handbook -420, 430X, 450X Danish | 1 | |
| 12 | 115 81 90-11 | WORKSHOP MANUAL | Technical Handbook -420, 430X, 450X Finnish | 1 | |
| 12 | 115 81 90-21 | WORKSHOP MANUAL | Technical Handbook -420, 430X, 450X Norwegian | 1 | |
| 12 | 115 81 90-26 | WORKSHOP MANUAL | Technical Handbook -420, 430X, 450X English | 1 | |
| 12 | 115 81 90-31 | WORKSHOP MANUAL | Technical Handbook -420, 430X, 450X French | 1 | |
| 12 | 115 81 90-36 | WORKSHOP MANUAL | Technical Handbook -420, 430X, 450X Dutch | 1 | |
| 12 | 115 81 90-41 | WORKSHOP MANUAL | Technical Handbook -420, 430X, 450X Italian | 1 | |
| 12 | 115 81 90-46 | WORKSHOP MANUAL | Technical Handbook -420, 430X, 450X Spanish | 1 | |
| 12 | 115 81 90-51 | WORKSHOP MANUAL | Technical Handbook -420, 430X, 450X German | 1 | |
| 12 | 115819056 | TBD | Technical Handbook -420, 430X, 450X Russian | 1 | |
| 12 | 115819058 | TBD | Technical Handbook -420, 430X, 450X Hungarian | 1 | |
| 12 | 115819059 | TBD | Technical Handbook -420, 430X, 450X Portuguese | 1 | |
| 12 | 115819061 | TBD | Technical Handbook -420, 430X, 450X Polish | 1 | |
| 12 | 115819062 | TBD | Technical Handbook -420, 430X, 450X Romanian | 1 | |
| 12 | 115819063 | TBD | Technical Handbook -420, 430X, 450X Estonian | 1 | |
| 12 | 115819064 | TBD | Technical Handbook -420, 430X, 450X Latvian | 1 | |
| 12 | 115819065 | TBD | Technical Handbook -420, 430X, 450X Lithuanian | 1 | |
| 12 | 115819068 | TBD | Technical Handbook -420, 430X, 450X Slovakian | 1 | |
| 12 | 115819071 | TBD | Technical Handbook -420, 430X, 450X Greek | 1 | |
| 12 | 115819076 | TBD | Technical Handbook -420, 430X, 450X Turkish | 1 | |
| 12 | 115819079 | TBD | Technical Handbook -420, 430X, 450X Japanese | 1 | |
| 12 | 115819081 | TBD | Technical Handbook -420, 430X, 450X Croatian | 1 | |
| 12 | 115 81 90-84 | WORKSHOP MANUAL | Technical Handbook -420, 430X, 450X Slovenian | 1 | |
| 12 | 115819090 | TBD | Technical Handbook -420, 430X, 450X Czech | 1 | |
| 12 | 115819096 | TBD | Technical Handbook -420, 430X, 450X Spanish (USA) | 1 | |
| 13 | 585 01 94-01 | HOUSING | House KIT | 1 | |
| 14 | 577 46 90-01 | DECAL | Decal | 1 | 13 |
| 15 | 586 88 58-01 | KIT | Cover Lid | 1 | 13 |

ACCESSORIES

AUTOMOWER 520, 2020-

| Ref | Part No | Description | Remark | QTY | KIT |
|-----|--------------|--------------|------------------------------|-----|-----|
| 16 | 585 32 40-02 | HANDLE | Handle Left | 1 | 13 |
| 17 | 585 32 41-01 | ROD | Steel Rod | 1 | 13 |
| 18 | 580 51 14-01 | SPRING | Spring | 2 | 13 |
| 19 | 585 34 15-01 | HINGE PIN | Hinge Pin | 2 | 13 |
| 20 | 585 34 16-01 | BEAM | Beam | 1 | 13 |
| 21 | 575 54 33-14 | SCREW | Screw | 9 | 13 |
| 22 | 585 32 40-01 | HANDLE | Handle Right | 1 | 13 |
| 23 | 585 32 36-01 | HATCH | Hatch | 1 | 13 |
| 24 | 585 32 34-01 | COVER | Cover Base | 1 | 13 |
| 25 | 575 23 86-01 | SCREW KIT | Screw KIT, 6 pcs | 1 | 13 |
| 26 | 585 32 38-02 | SUPPORT | Support Base Left | 1 | 13 |
| 27 | 503 22 66-01 | SQUARE NUT | Square Nut | 4 | 13 |
| 28 | 585 32 38-01 | SUPPORT | Support Base Right | 1 | 13 |
| 29 | 535 12 93-03 | SCREW IHPANM | Screw | 4 | 13 |
| 30 | 590 85 51-01 | KIT | Maintenance and cleaning kit | 1 | |
| 31 | 591 20 36-01 | WIRING ASSY | | 1 | |
| 32 | 593 96 79-01 | SPRAY | | 1 | |

E AUTOMOWER 520, 550
WHEELS & TIRES

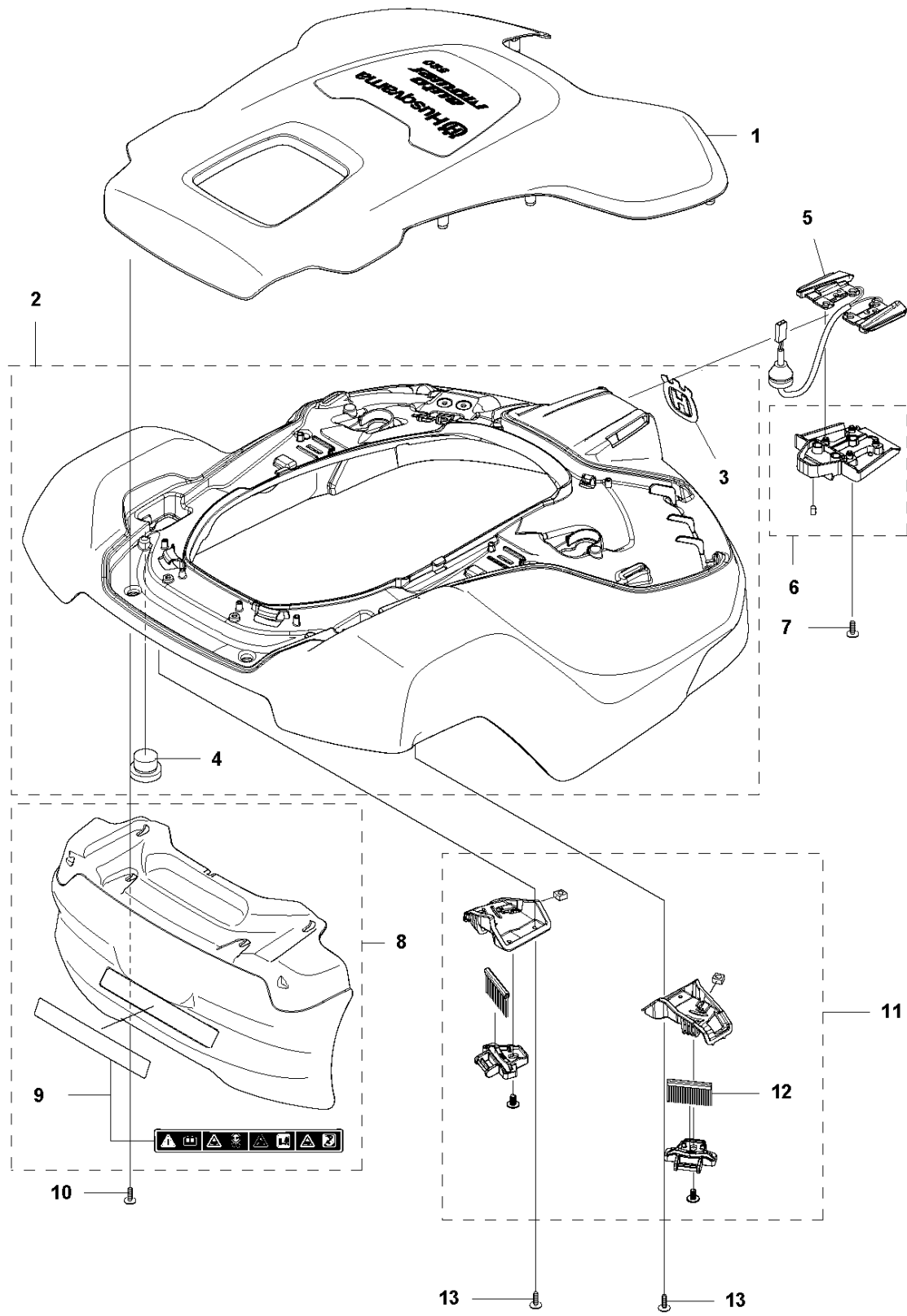


WHEELS & TIRES

AUTOMOWER 520, 2020-

| Ref | Part No | Description | Remark | QTY | KIT |
|-----|--------------|------------------|--------------------------|-----|-----|
| 1 | 576 01 93-02 | LOCKWASHER | Lock Washer | 2 | 19 |
| 2 | 580 76 46-01 | WASHER | Washer | 2 | 19 |
| 3 | 580 60 51-01 | BALL BEARING | Ball Bearing | 2 | 19 |
| 3 | 597 79 56-01 | BALL BEARING | Tube 50 pcs | 1 | |
| 4 | 580 60 51-01 | BALL BEARING | Ball Bearing | 2 | 19 |
| 4 | 597 79 56-01 | BALL BEARING | Tube 50 pcs | 1 | |
| 5 | 535 08 78-03 | WASHER | Washer | 2 | 19 |
| 6 | 580 76 46-01 | WASHER | Washer | 2 | 19 |
| 7 | 581 62 15-01 | SHIELD KIT | Shield KIT | 2 | 19 |
| 8 | 580 48 71-01 | SEALING | Sealing | 2 | 19 |
| 9 | 580 60 51-01 | BALL BEARING | Ball Bearing | 2 | 19 |
| 9 | 597 79 56-01 | BALL BEARING | Tube 50 pcs | 1 | |
| 10 | 579 45 71-01 | WHEEL | Wheel Inside | 2 | 19 |
| 11 | 574 44 98-01 | WHEEL | Tire | 2 | 19 |
| 12 | 580 44 51-01 | O-RING | O-Ring | 2 | 19 |
| 13 | 580 60 51-01 | BALL BEARING | Ball Bearing | 2 | 19 |
| 13 | 597 79 56-01 | BALL BEARING | Tube 50 pcs | 1 | |
| 14 | 580 76 46-01 | WASHER | Washer | 2 | 19 |
| 15 | 576 01 93-02 | LOCKWASHER | Lock Washer | 2 | 19 |
| 16 | 579 45 72-01 | WHEEL | Wheel Outside | 2 | 19 |
| 17 | 575 54 33-14 | SCREW | Screw | 6 | 19 |
| 18 | 580 33 61-01 | SPINDLE | Spindle | 2 | 19 |
| 19 | 581 62 14-01 | WHEEL KIT | Front Wheel KIT | 2 | |
| 20 | 580 44 39-02 | O-RING | O-Ring | 2 | 21 |
| 21 | 581 62 13-06 | MOTOR KIT | Wheel Motor ASSY | 2 | |
| 22 | 574 45 01-01 | SCREW ITXPANT | Screw | 8 | |
| 23 | 574 45 01-01 | SCREW ITXPANT | Screw | 6 | |
| 24 | 579 50 56-02 | COVER | Cover | 2 | |
| 25 | 579 50 61-02 | REAR WHEEL | Rear Wheel Coarse thread | 2 | |
| 26 | 586 21 06-01 | WASHER | Washer | 2 | |
| 27 | 731 43 24-01 | HEXAGON THIN NUT | Thin Nut | 2 | |
| 28 | 579 50 55-02 | HUB CAP | Hub Cap | 2 | |

A1 AUTOMOWER 520 COVER

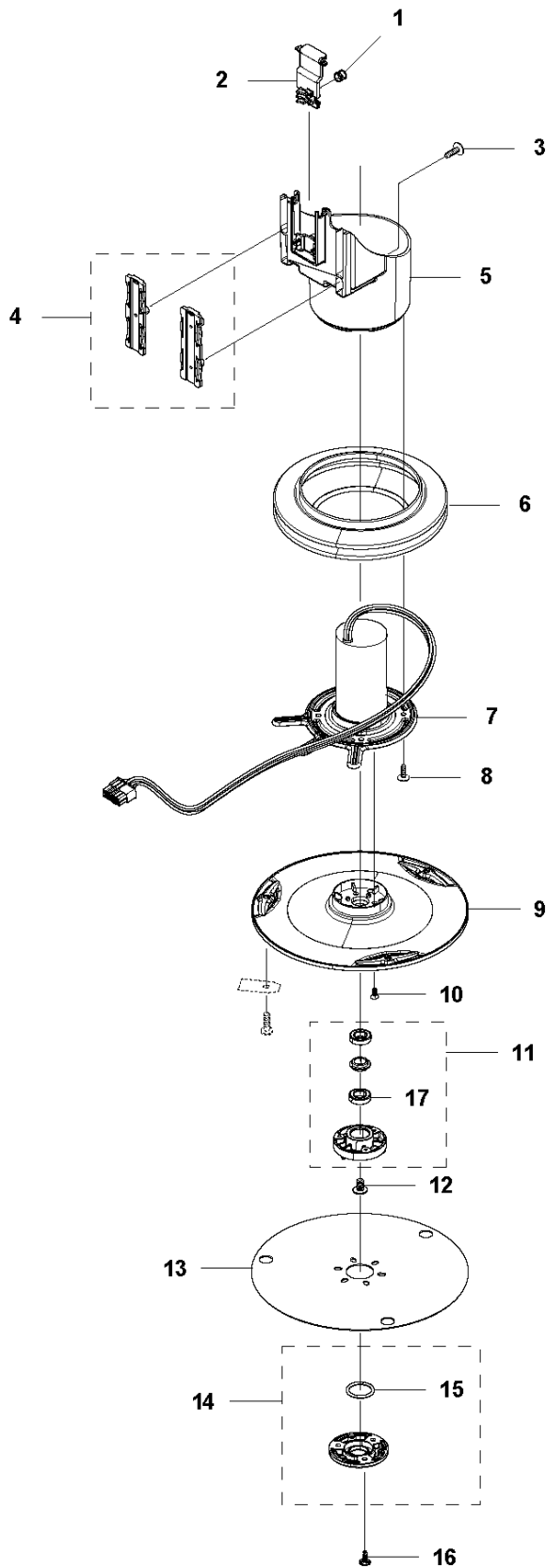


COVER

AUTOMOWER 520, 2020-

| Ref | Part No | Description | Remark | QTY | KIT |
|-----|--------------|--------------|---|-----|-----|
| 1 | 591 49 60-01 | BODY KIT | Cover KIT Top Robotic Grey 520 | 1 | |
| 1 | 591 49 60-02 | BODY KIT | Cover KIT Top Orange 520 | 1 | |
| 2 | 501 06 11-02 | BODY ASSY | Body KIT | 1 | |
| 3 | 587 42 35-01 | DECAL | Decal Crown | 1 | 2 |
| 4 | 580 52 68-01 | CAP | Cap Snaploc | 4 | 2 |
| 5 | 585 53 92-04 | CABLE ASSY | Charging Plate Wiring | 1 | |
| 6 | 501 06 56-02 | HOLDER ASSY | Holder KIT | 1 | |
| 7 | 575 54 33-14 | SCREW | Screw | 1 | |
| 8 | 501 06 50-01 | BUMPER ASSY | Bumper ASSY | 1 | |
| 9 | 586 35 97-01 | LABEL | Label Warning | 1 | 11 |
| 10 | 574 45 01-01 | SCREW ITPANT | Screw | 10 | |
| 11 | 581 90 31-02 | BRUSH KIT | Brush KIT (brackets and brushes, 6 pcs) | 1 | |
| 12 | 581 98 20-02 | BRUSH KIT | Brush, 6 pcs | 1 | 12 |
| 13 | 575 54 33-14 | SCREW | Screw | 1 | |
| 13 | 575 54 33-14 | SCREW | Screw | 1 | |

F AUTOMOWER 520, 550
BLADE MOTOR & CUTTING EQUIPMENT



BLADE MOTOR & CUTTING EQUIPMENT

AUTOMOWER 520, 2020-

| Ref | Part No | Description | Remark | QTY | KIT |
|-----|--------------|----------------------|--|-----|-----|
| 1 | 580 62 44-01 | SPRING | Spring | 1 | |
| 2 | 579 56 46-01 | LINK | Link | 1 | |
| 3 | 575 54 33-14 | SCREW | Screw | 3 | |
| 4 | 581 62 18-01 | BEARING KIT | Bearing KIT | 1 | |
| 5 | 579 56 45-01 | HOUSING | Housing | 1 | |
| 6 | 579 66 64-03 | BELLOWS | Bellows | 1 | |
| 7 | 587 38 14-01 | MOTOR ASSY | Cutting Motor ASSY | 1 | |
| 8 | 575 54 33-14 | SCREW | Screw | 4 | |
| 9 | 598 81 44-01 | CUTTING DISC | Cutting Disc | 1 | |
| 10 | 535 13 05-02 | SCREW | Screw | 3 | |
| 11 | 588 42 17-02 | BEARING HOUSING ASSY | Bearing Housing KIT | 1 | |
| 12 | 535 07 60-01 | SCREW | Screw | 1 | |
| 13 | 597 44 98-01 | SKID PLATE | Skid Plate | 1 | |
| 14 | 587 44 96-01 | COVER KIT | Bearing Cover KIT | 1 | |
| 15 | 585 29 75-01 | O-RING | O-Ring | 1 | |
| 16 | 575 54 33-14 | SCREW | Screw | 3 | |
| 17 | 535 07 57-01 | BALL BEARING | | 1 | 11 |
| 17 | 593 08 08-01 | BALL BEARING | Tube 50 pcs | 1 | |
| | 577 86 46-03 | BLADE SET | Long Life Safety Blade, Blister Pack, 9 pcs | 1 | |
| | 577 60 65-05 | BLADE SET | Long Life Safety Blade, 45 pcs | 1 | |
| | 577 60 66-04 | BLADE SET | Long Life Safety Blade, 300 pcs | 1 | |