

SPARE PARTS CATALOGUE

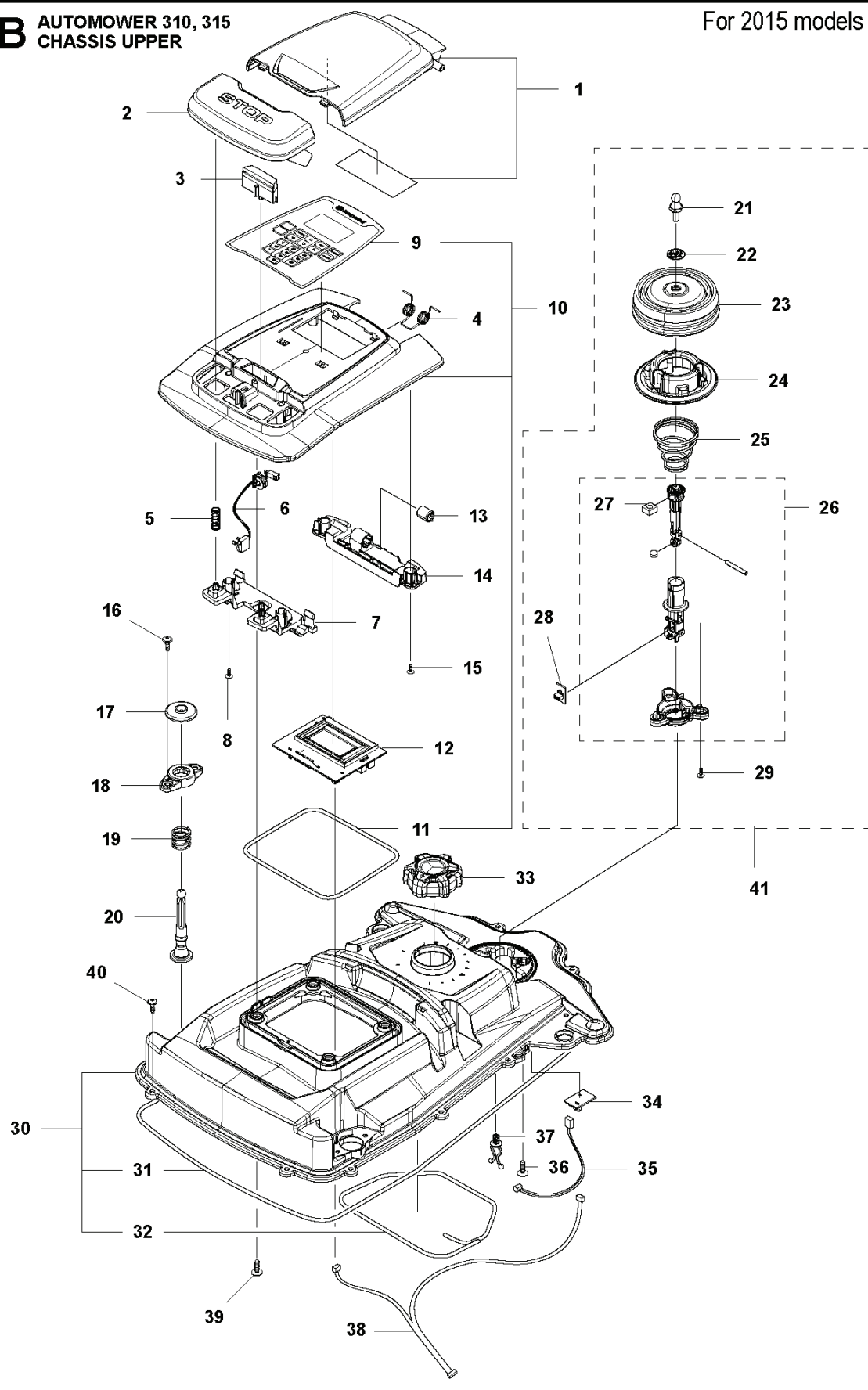
: HUSQVARNA 315

Spare Parts List

SPARE PARTS LIST

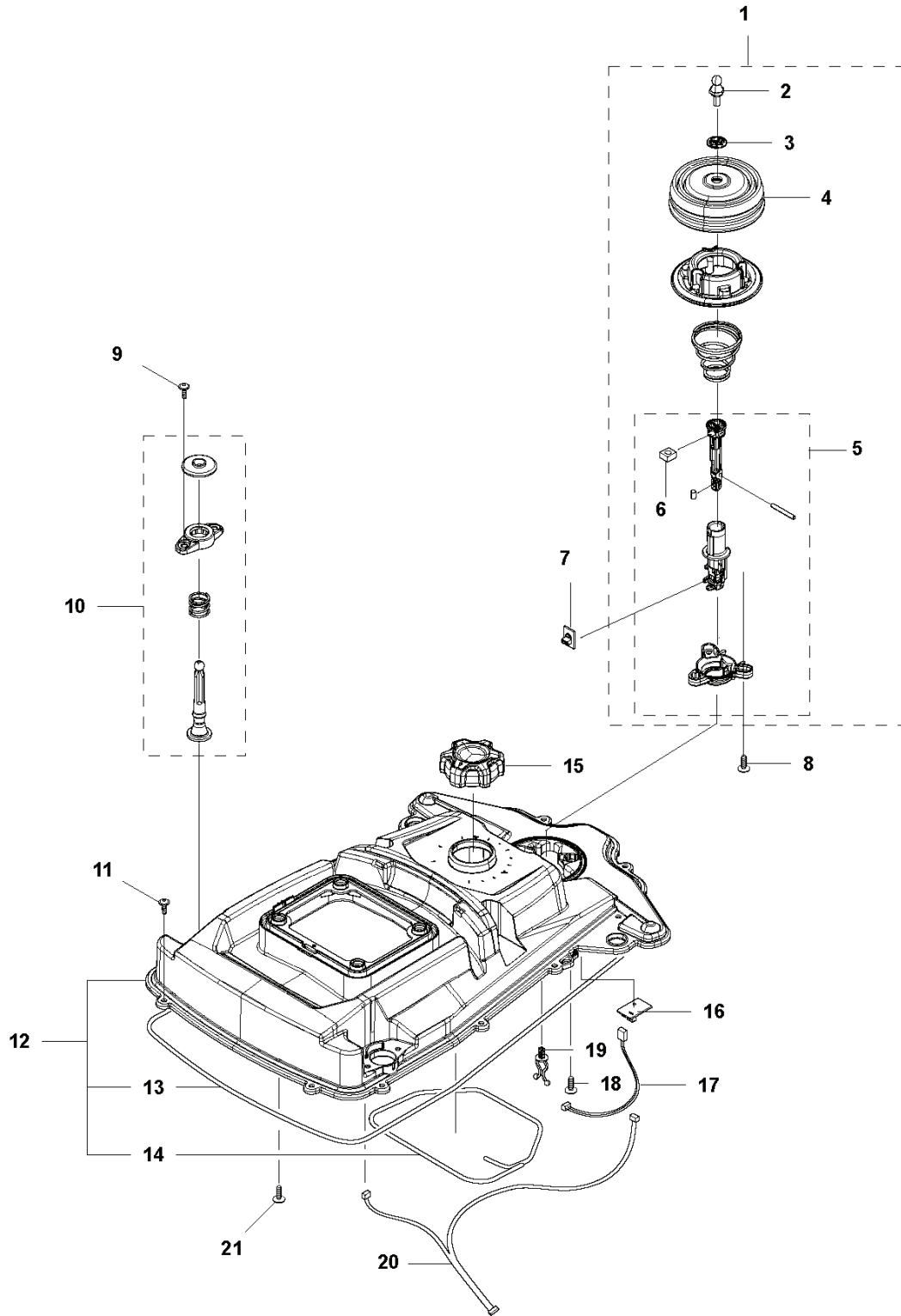
B AUTOMOWER 310, 315
CHASSIS UPPER

For 2015 models



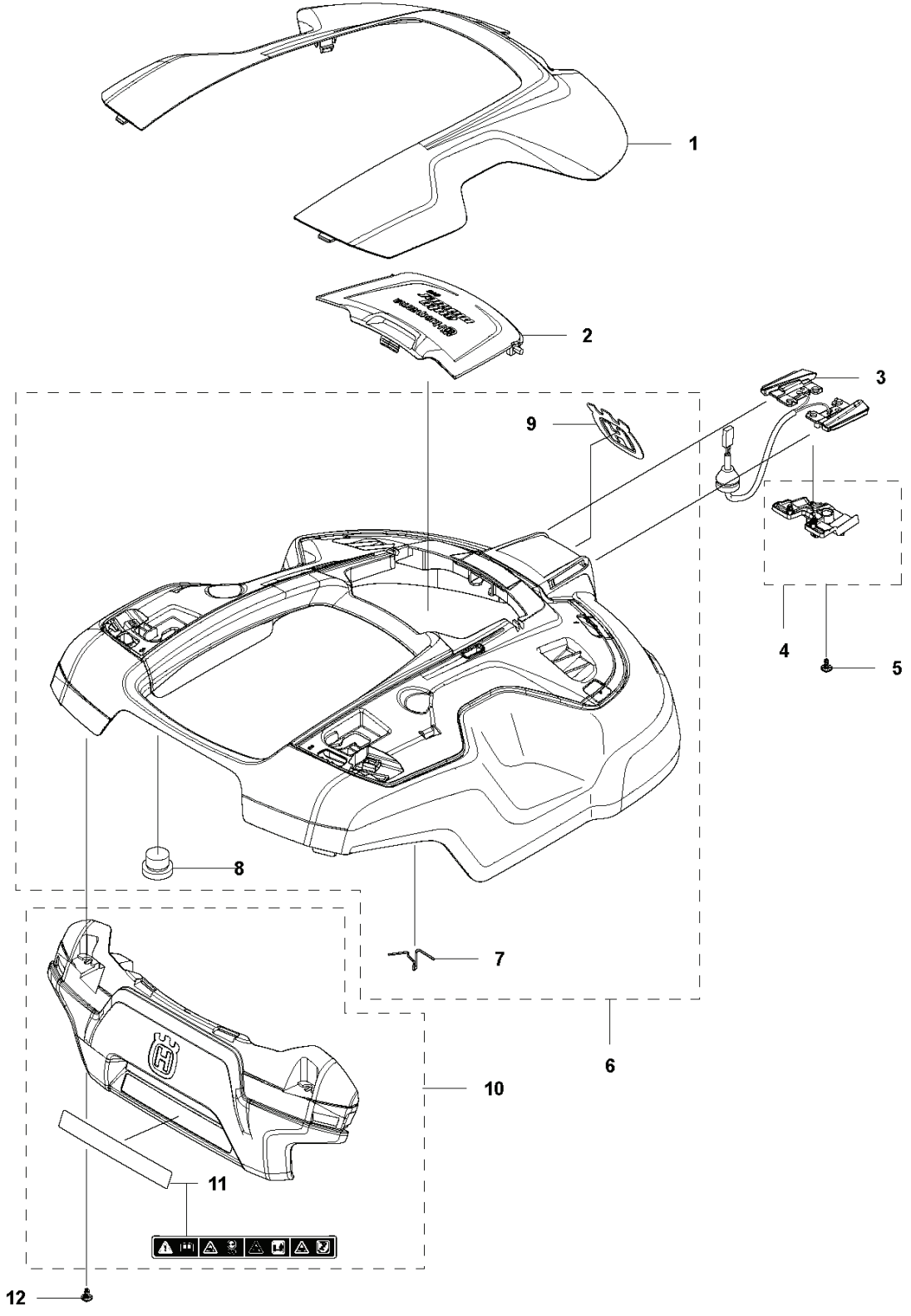
PXM_REF	PXM_PARTNO	BESCHREIBUNG	PXM_REMARK	
1	587651301	HATCH KIT		1
2	585275601	KNOPF		1
3	585275901	SPERRE		1
4	585255401	TORSIONSFEDER		1
5	576242201	FEDER		3
6	574480302	SCHALTER		1
7	585275701	STÜTZE		1
8	575543314	SCHRAUBE		2
9	584974601	TASTATUR	315	1
10	587449002	ABDECKUNGSSATZ	315	1
11	574874708	DICHTUNGSTREIFEN		1
12	584390901	PLATINE KPL.		1
13	580352302	DÄMPFER		1
14	585275401	STÜTZE		1
15	575543314	SCHRAUBE		2
16	574450101	SCHRAUBE		4
17	585298201	DICHTUNG		2
18	585298301	TOOL HOLDER		2
19	585298101	FEDER		2
20	585298001	SÄULE		2
21	580526701	GEWINDESTIFT		1
22	579525701	SCHEIBE		1
23	579474601	BALG		1
24	579484801	HALTER		1
25	580672501	FEDER		1
26	587448802	JOYSTICK KIT		1
27	503226601	MUTTER 4-KANT		1
28	579669001	PLATINE KPL.		1
29	575543314	SCHRAUBE		3
30	587448901	CHASSIS KIT		1
31	574874709	DICHTUNGSTREIFEN		1
32	574874708	DICHTUNGSTREIFEN		1
33	585281401	KNOPF		1
34	592909501	PLATINE KPL.		1
35	585208501	ISOLIERROHR		1
36	574450101	SCHRAUBE		3
37	580682901	TOOL HOLDER		3
38	585208601	ISOLIERROHR		1
39	574450101	SCHRAUBE		4
40	574450101	SCHRAUBE		12
41	581620903	JOYSTICK KIT		1

B AUTOMOWER 310, 315
CHASSIS UPPER
For 2020, 2019, 2018., 2017 & 2016 models



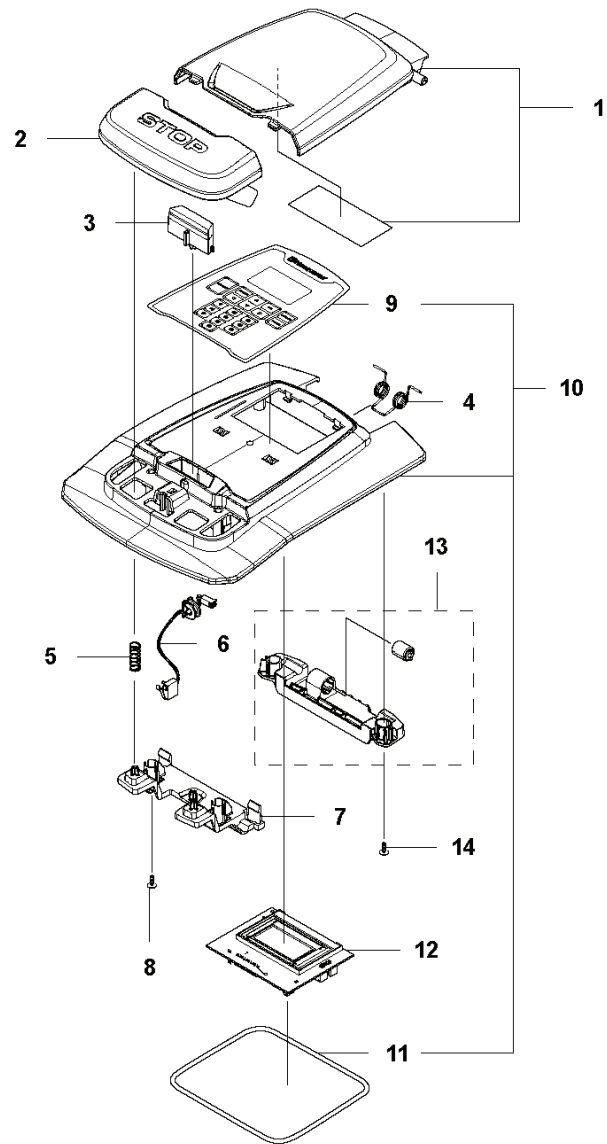
PXM_REF	PXM_PARTNO	BESCHREIBUNG	PXM_REMARK		
1	581620903	JOYSTICK KIT	Joystick KIT Front	1	
2	580526701	GEWINDESTIFT	Stud	1	
3	579525701	SCHEIBE	Washer	1	
4	579474601	BALG	Bellows	1	
5	587448802	JOYSTICK KIT	Joystick ASSY	1	
6	503226601	MUTTER 4-KANT	Square Nut	1	
7	592852301	PLATINE KPL.	PCBA Lift Sensor	1	
8	575543314	SCHRAUBE	Screw	3	
9	574450101	SCHRAUBE	Screw	4	
10	594058601	JOYSTICK ASSY	Joystick KIT Rear	2	
11	574450101	SCHRAUBE	Screw	12	
12	587448902	CHASSIS KIT	Chassis KIT	1	
13	574874709	DICHTUNGSSTREIFEN		1	
14	574874708	DICHTUNGSSTREIFEN		1	
15	585281401	KNOPF	Knob	1	
16	592909501	PLATINE KPL.	PCBA Collision Sensor	1	
17	585208501	ISOLIERROHR	Loom Lift-Collision	1	
18	574450101	SCHRAUBE	Screw	3	
19	580682901	TOOL HOLDER	Holder Twist Lock	3	
20	588797801	VERKABELUNG KPL.	Loom	1	
21	574450101	SCHRAUBE	Screw	4	

A AUTOMOWER 310, 315
COVER



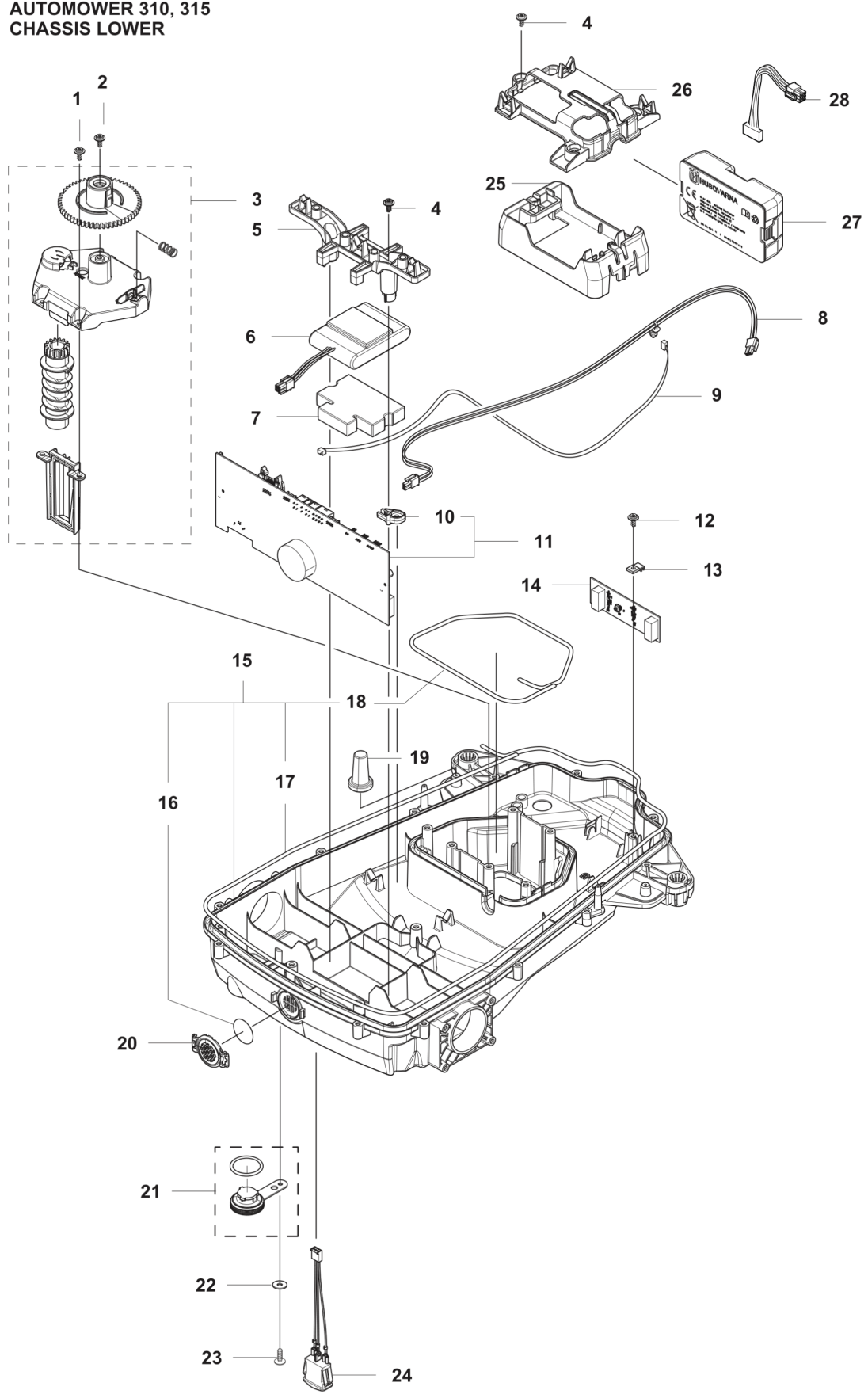
PXM_REF	PXM_PARTNO	BESCHREIBUNG	PXM_REMARK		
1	587235803	BODY KIT	Top Cover Orange	1	
1	587235802	BODY KIT	Top Cover White	1	
1	587235801	BODY KIT	Top Cover Grey	1	
2	585538102	HAUBE	Hood 315	1	
3	531144701	KABELSATZ	Charging Plate Wiring	1	
4	587448602	HOLDER KIT	Holder KIT	1	
5	574450101	SCHRAUBE	Screw	1	
6	587448501	BODY KIT	Body ASSY	1	
7	587419402	FEDER	Spring Hood	1	
8	580526801	HUT	Cap Snaploc	3	
9	574382101	Folie	Crown	1	
10	587448701	STOSSFÄNGER	Bumper ASSY	1	
11	586359701	AUFKLEBER	Label Warning	1	
12	574450101	SCHRAUBE	Screw	2	

C AUTOMOWER 310, 315
CENTER CONSOL



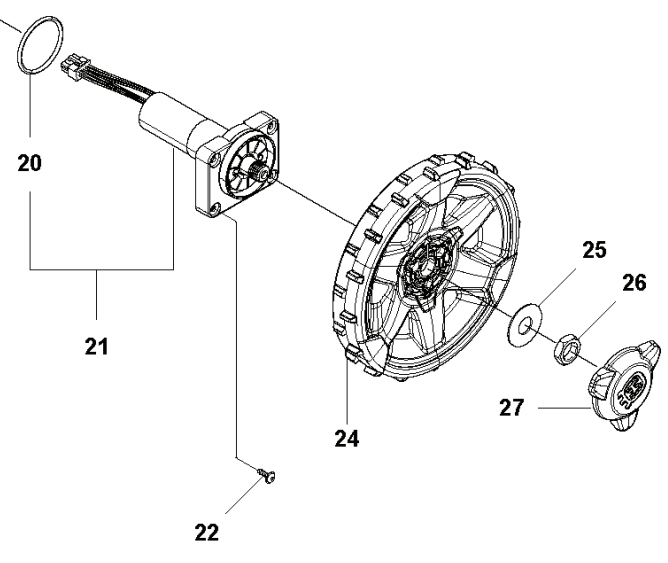
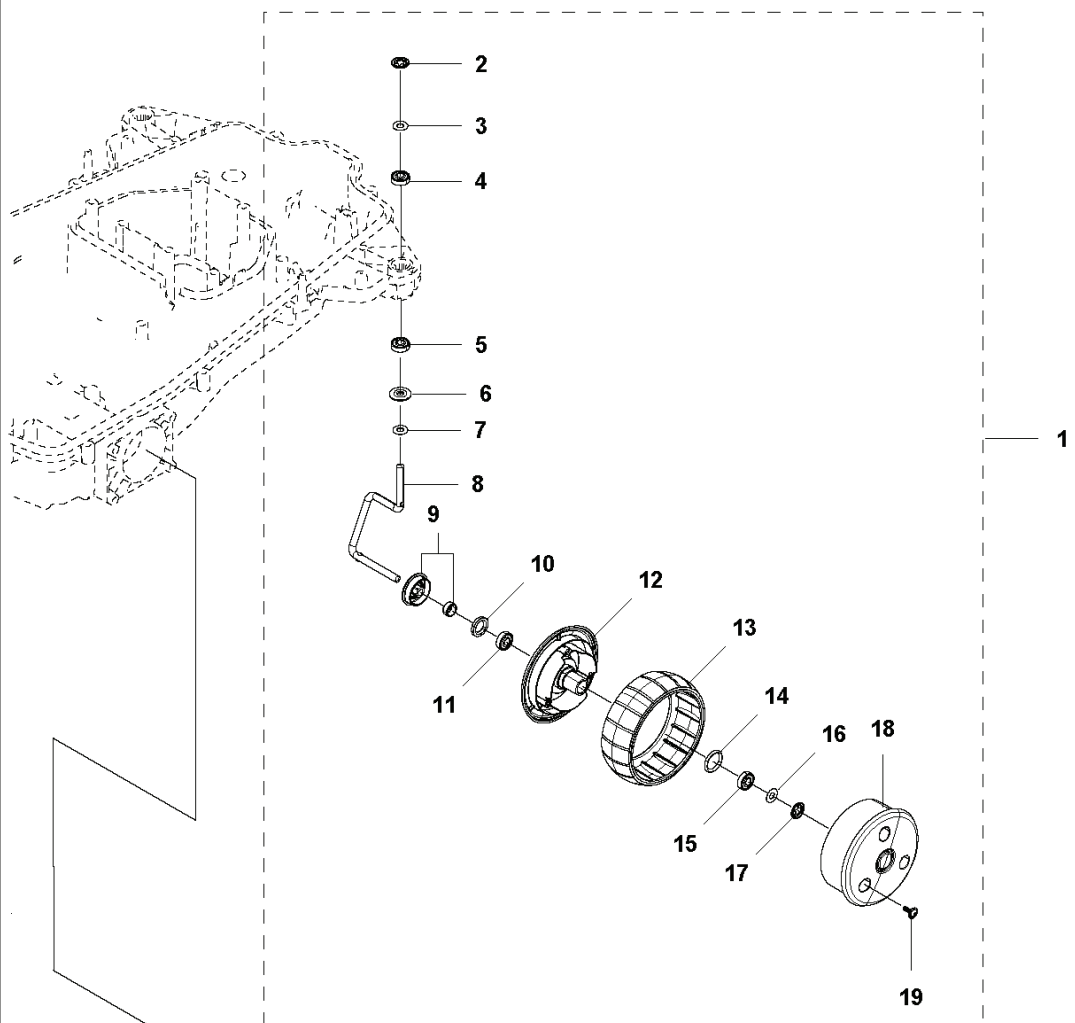
PXM_REF	PXM_PARTNO	BESCHREIBUNG	PXM_REMARK		
1	587651301	HATCH KIT	Hatch KIT	1	
2	585275601	KNOPF	Stop Button	1	
3	585275901	SPERRE	Lock	1	
4	585255401	TORSIONSFEDER	Torsion Spring	1	
5	576242201	FEDER	Spring	3	
6	574480302	SCHALTER	Switch	1	
7	585275701	STÜTZE	Support Rear	1	
8	575543314	SCHRAUBE	Screw	2	
9	584974601	TASTATUR	Keyboard 2.8" Display 315	1	
10	587449002	ABDECKUNGSSATZ	Cover KIT 2.8" Display 315	1	
11	574874708	DICHTUNGSTREIFEN	Sealing Strip (1 pcs. 5 mm)	1	
12	592910201	PLATINE KPL.	PCBA MMI 2.8" Display 315	1	
13	501106101	SUPPORT KIT	Support KIT	1	
14	575543314	SCHRAUBE	Screw	2	

D AUTOMOWER 310, 315
CHASSIS LOWER



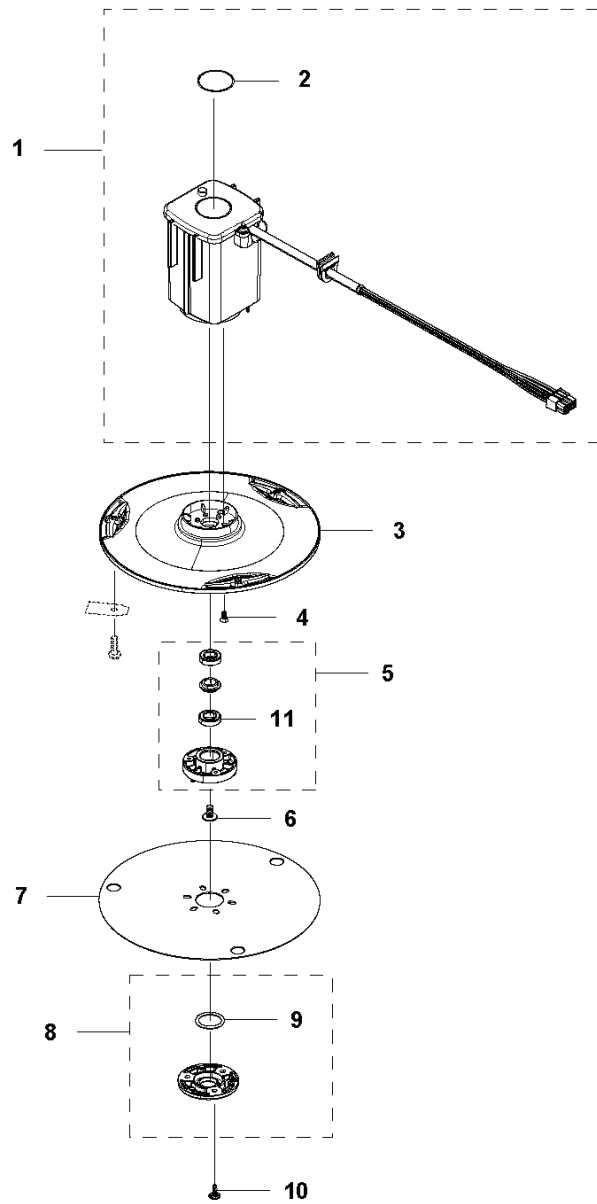
PXM_REF	PXM_PARTNO	BESCHREIBUNG	PXM_REMARK		
1	574450101	SCHRAUBE	Screw	1	
2	574450101	SCHRAUBE	Screw	4	
3	501106601	ABDECKUNGSSATZ	Cover KIT	1	
4	574450101	SCHRAUBE	Screw	2	
5	585304701	TOOL HOLDER	Up to Serial number 2005XXXXX	1	
6	589586201	BATTERIE	Up to Serial number 2005XXXXX	1	
7	589366201	GEWICHT	Up to Serial number 2005XXXXX	1	
7	593253001	GEWICHT	From Serial number 2006XXXXX-	1	
8	534156603	VERKABELUNG KPL.	Loom Charging	1	
9	579708201	VERKABELUNG KPL.	Loom Loop Sensor	1	
10	585538301	KLAMMER	Clips	2	
11	592851801	PLATINE KPL.	Main Board From 2016 Models	1	
11	592851601	PLATINE KPL.	Main Board For 2015 Models	1	
12	574450101	SCHRAUBE	Screw	1	
13	579529401	KLEMME	Clamp	1	
14	592852701	PLATINE KPL.	Sensor Board	1	
15	587449202	CHASSIS KIT	Up to Serial number 1839XXXXX	1	
15	587449203	CHASSIS KIT	From Serial number 1840XXXXX	1	
16	577753701	FILTER	Air Filter	1	
17	574874709	DICHTUNGSTREIFEN	Sealing Strip (1 pcs. ~5 mm)	1	
18	574874708	DICHTUNGSTREIFEN	Sealing Strip (1 pcs. ~5 mm)	1	
19	586342601	SÄULE	Pillar	2	
20	586038902	DECKEL	Air filter cover	1	
21	581621202	PLUG KIT	Plug KIT	1	
22	734113741	SCHEIBE	Washer	1	
23	574450101	SCHRAUBE	Screw	1	
24	579708701	VERKABELUNG KPL.	Loom On-Off	1	
25	594009801	GRIFF	From Serial number 2006XXXXX-	1	
26	593252901	HALTER	From Serial number 2006XXXXX-	1	
27	593247201	BATTERIE	From Serial number 2006XXXXX-	1	
28	535018401	VERKABELUNG KPL.	From Serial number 2006XXXXX-	1	

E AUTOMOWER 310, 315
WHEELS & TIRES



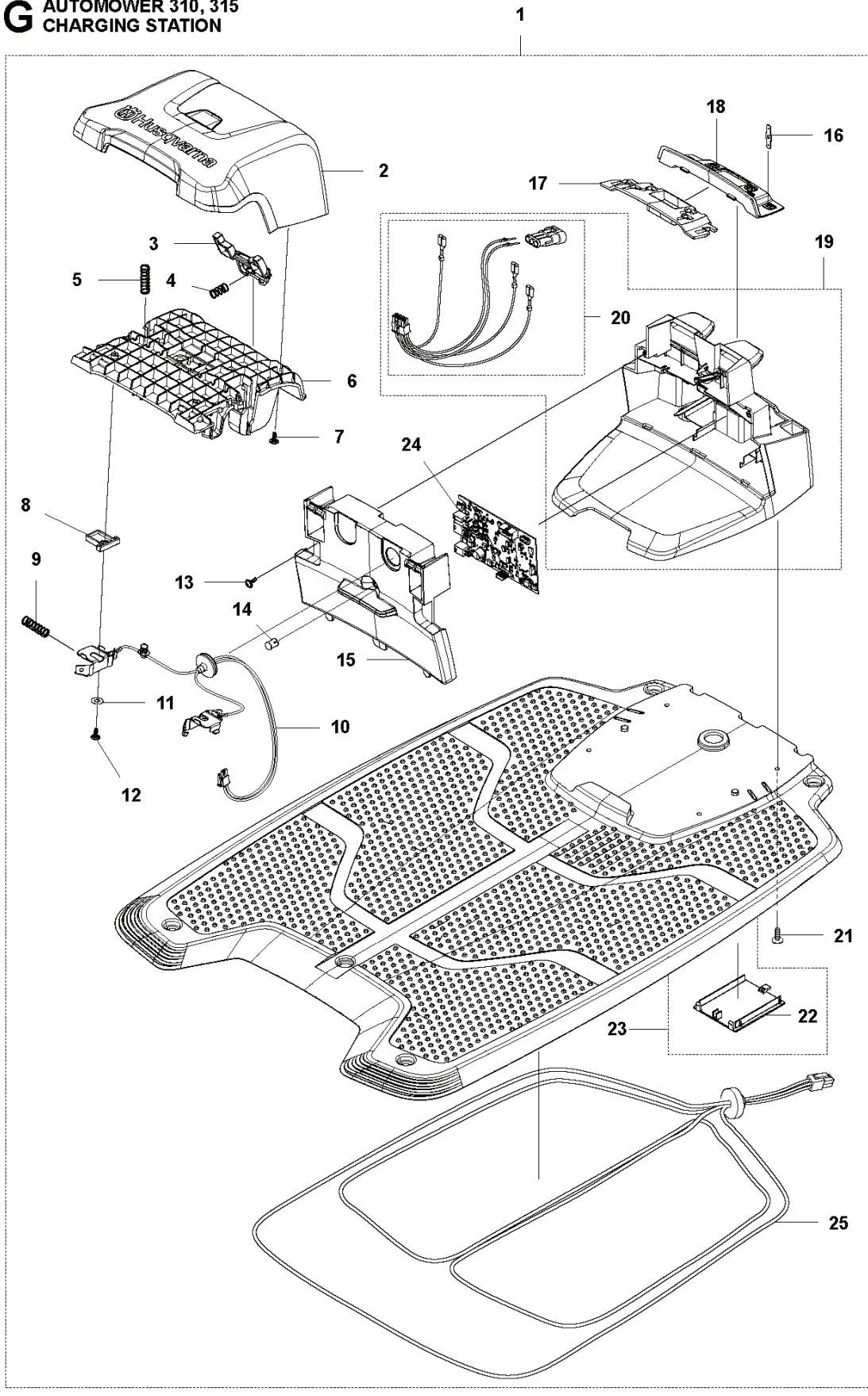
PXM_REF	PXM_PARTNO	BESCHREIBUNG	PXM_REMARK	
1	587651901	WHEEL KIT	Front Wheel Assy	2
2	576019402	SICHERUNGSSCHEIBE	Lock Washer	2
3	585196801	SCHEIBE	Washer	2
4	585214201	KUGELLAGER	Ball Bearing	2
5	585214201	KUGELLAGER	Ball Bearing	2
6	535087802	SCHEIBE	Washer	2
7	585196801	SCHEIBE	Washer	2
8	585187201	SPINDEL	Spindle	2
9	587449301	SHIELD KIT	Shield KIT	2
10	580487101	DICHTUNG	Sealing	2
11	585214201	KUGELLAGER	Ball Bearing	2
12	579457101	LAUFRAD	Wheel Inside	2
13	574449801	LAUFRAD	Wheel Tyre	2
14	580445101	O-RING	O-ring	2
15	585214201	KUGELLAGER	Ball Bearing	2
16	585196801	SCHEIBE	Washer	2
17	576019402	SICHERUNGSSCHEIBE	Lock Washer	2
18	579457201	LAUFRAD	Wheel Outside	2
19	575543314	SCHRAUBE	Screw	6
20	580443902	O-RING	O-ring	2
21	587449404	MOTOR KIT	Up to Serial number 2027XXXX	2
21	598587301	MOTOR KIT	From Serial number 2028XXXX	2
22	574450101	SCHRAUBE	Screw	8
24	590217301	RAD KPL.	Rear Wheel	2
25	586210601	SCHEIBE	Washer	2
26	731432401	SECHSKANT-FLACHMUTTER	Thin Nut	2
27	579505502	RADKAPPE	Hub Cap	2

F AUTOMOWER 310, 315
BLADE MOTOR & CUTTING EQUIPMENT
For 2020, 2019, 2018, 2017 & 2016 models



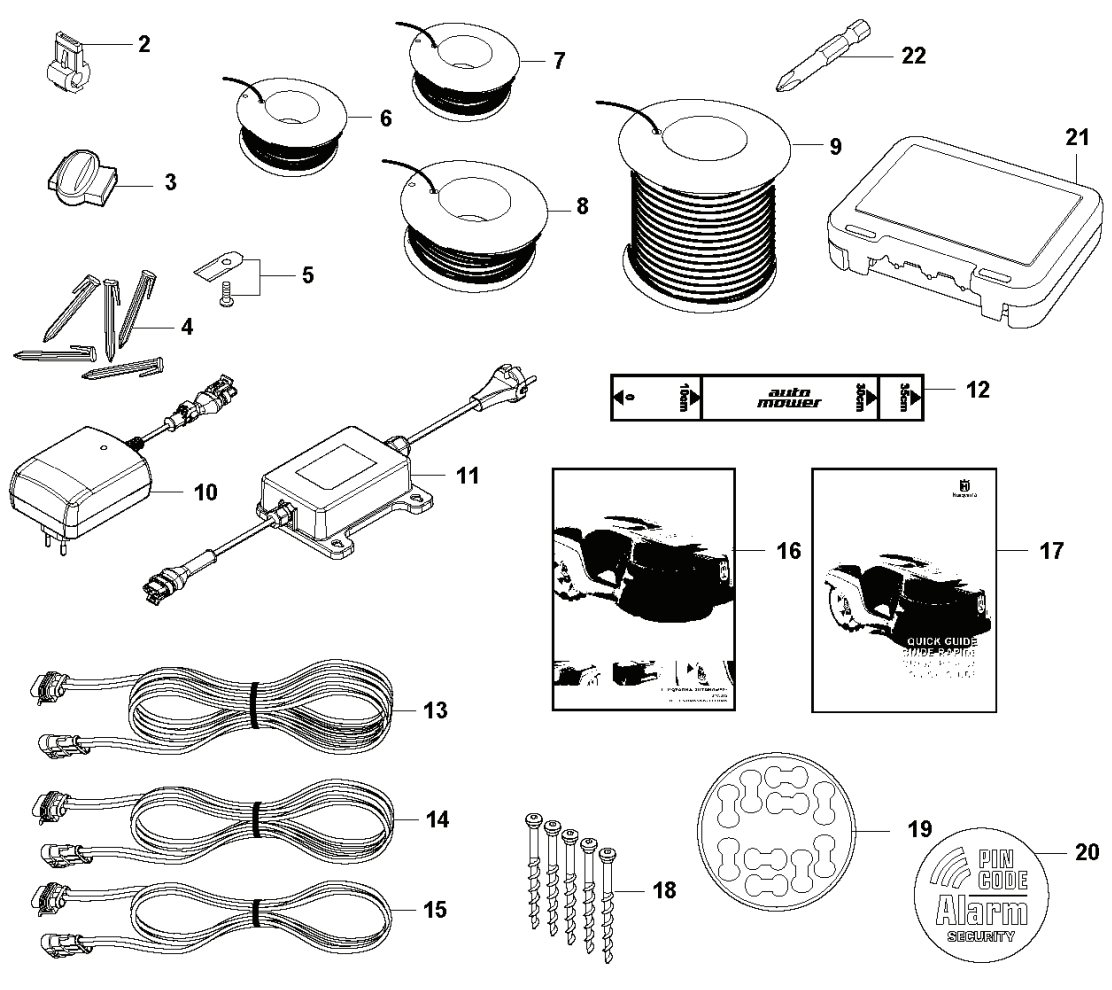
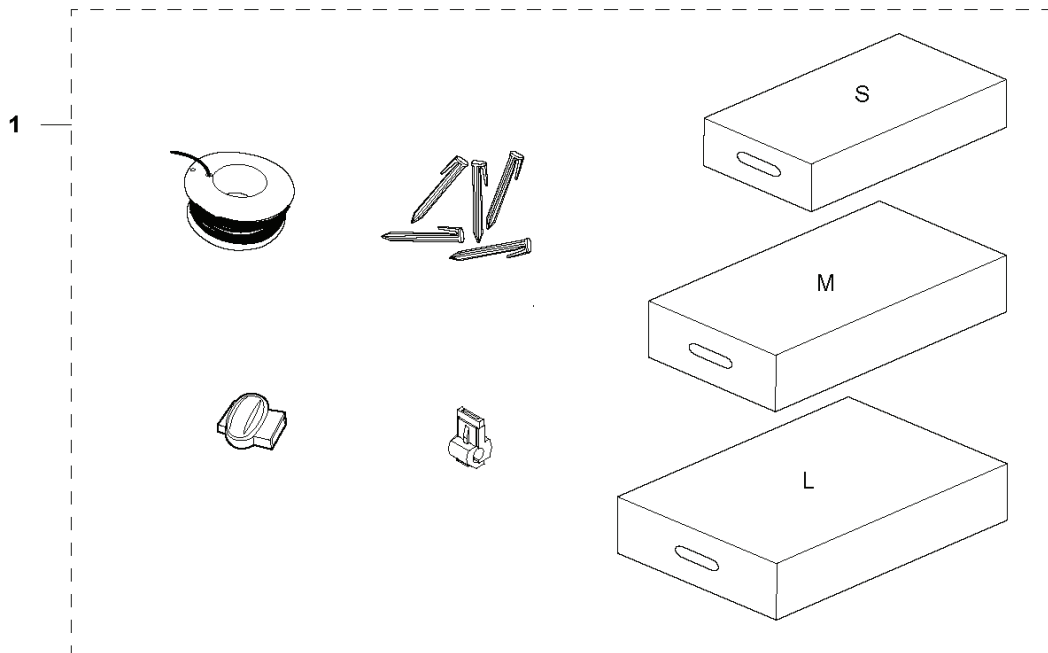
PXM_REF	PXM_PARTNO	BESCHREIBUNG	PXM_REMARK		
1	501843701	MOTOR KPL.	Motor ASSY	1	
2	577753701	FILTER	Air Filter	10	
3	585296901	TRENNSCHEIBE	Up to Serial number 1837XXXX	1	
3	585296902	TRENNSCHEIBE	From Serial number 1838XXXX-2006XXXX	1	
3	597422201	TRENNSCHEIBE	From Serial number 200602356-	1	
4	535130502	SCHRAUBE	Up to Serial number 1837XXXX	1	
4	590508701	SCHRAUBE	From Serial number 1838XXXX	3	
5	588421702	LAGERGEHÄUSE KPL.	Bearing Housing ASSY	1	
6	535076001	SCHRAUBE	Screw	1	
7	585297001	GLEITPLATTE	Up to Serial number 2006XXXX	1	
7	598794801	GLEITPLATTE	From Serial number 200602356-	1	
8	587449601	ABDECKJUNGSSATZ	Bearing Cover	1	
9	585297501	O-RING	O-Ring	1	
10	575543314	SCHRAUBE	Screw	3	
11	535075703	KUGELLAGER		1	
11	593080801	KUGELLAGER	Tube 50 pcs	1	

G AUTOMOWER 310, 315
CHARGING STATION



PXM_REF	PXM_PARTNO	BESCHREIBUNG	PXM_REMARK	
1	585164001	LADESTATION	For 2016 & 2015 models	1
1	585164003	LADESTATION	For 2020, 2019, 2018 & 2017 models	1
2	585071102	HUT	Cap	1
3	579462402	KNOPF	Button - Release	1
4	574487001	FEDER	Spring	1
5	580511401	FEDER	Spring	2
6	579458004	RAHMEN	Frame	1
7	575543314	SCHRAUBE	Screw	4
8	579460502	ABSTANDSSCHEIBE	Distance	2
9	580511401	FEDER	Spring	2
10	585539502	KABELSATZ	Loom Charging Contact	1
11	734113741	SCHIEBE	Washer	2
12	575543314	SCHRAUBE	Screw	2
13	575543314	SCHRAUBE	Screw	2
14	535128702	DIODENLINSE	For 2017, 2016 & 2015 models	1
14	590217201	LINSE	For 2020, 2019 & 2018 models	1
15	585071401	DECKEL	Lid	1
16	580504101	ANSCHLUSSELEMENT	Terminal	3
17	579459901	TOOL HOLDER	Holder	1
18	579459801	PLATTE	Panel	1
19	588416101	GEHÄUSE KPL.	Housing	1
20	587651501	LOOM KIT	Loom	1
21	575543314	SCHRAUBE	Screw	4
22	585919301	DECKEL	Cover	1
23	587651602	LADEBLECH	Charging Plate KIT	1
24	592909302	PLATINE KPL.	Printed Circuit ASSY	1
25	590527201	KABELSATZ		1

H AUTOMOWER 310, 315 INSTALLATION ACCESSORIES



PXM_REF	PXM_PARTNO	BESCHREIBUNG	PXM_REMARK		
1	967623601	INSTALLATION KIT	Installation KIT S: Wire (150 m), Staples (300 pcs), Connectors (3 pcs), Couplers (5 pcs)	1	
1	967623602	INSTALLATION KIT	Installation KIT M: Wire (250 m), Staples (400 pcs), Connectors (3 pcs), Couplers (5 pcs)	1	
1	967623603	INSTALLATION KIT	Installation KIT L: Wire (400 m), Staples (600 pcs), Connectors (5 pcs), Couplers (5 pcs)	1	
2	535129001	KONTAKTSTÜCK	Loop Wire Connector	1	
2	535129002	KONTAKTSTÜCK	Loop Wire Connector, Blister Pack, 100 pcs	1	
2	577864801	KONTAKTSTÜCK	Loop Wire Connector, Blister Pack, 5 pcs	1	
3	501980201	KUPPLUNG	Coupler	1	
3	501980203	KUPPLUNG	Coupler, 100 pcs	1	
3	577864701	KUPPLUNG	Coupler, Blister Pack, 5 pcs	2	
4	583973401	KLAMMER	Staples, 100 pcs	1	
5	577606604	MESSER-SATZ	Long Life - Safety Blade, 300 pcs	1	
5	577864603	MESSER-SATZ	Long Life - Safety Blade, Blister Pack, 9 pcs	1	
5	577606505	MESSER-SATZ	Long Life - Safety Blade, 45 pcs	1	
6	577864302	KABEL	Wire, Blister Pack, (50 m)	1	
6	597237801	KABEL	Wire (150 m)	1	
7	580662006	KABEL	Wire (250 m)	1	
8	522914102	KABEL	Wire (500 m)	1	
9	580662004	KABEL	Wire (800 m)	1	
10	593163601	POWER SUPPLY	Power Supply Unit EU	1	
11	590442202	ANTRIEBSEINHEIT	Power Supply Unit UK, IE	1	
11	590442203	POWER SUPPLY	Power Supply Unit CH	1	
11	590442204	ANTRIEBSEINHEIT	Power Supply Unit US, CA	1	
11	590442206	ANTRIEBSEINHEIT	Power Supply Unit JP	1	
11	584862601	ANTRIEBSEINHEIT	EU	1	
11	584862605	ANTRIEBSEINHEIT	Power Supply Unit AU, NZ	1	
12	544177501	MASSBAND	Measuring Tape	1	
13	579825101	KABELSATZ	Low voltage cable 20m	1	
14	579825102	KABELSATZ	Low voltage cable 10m	1	
15	579825103	KABELSATZ	Low Voltage Cable (3 m)	1	
15	579825104	KABELSATZ	Low Voltage Cable (5 m)	1	
18	597435801	SCHRAUBE	6 pcs+Key	1	
19	586277901	PLAKETTE	Sticker, Cable Markers, 10 pcs	1	
20	579571201	AUFKLEBER	Label Alarm	1	
21	590855001	KISTE	Cable Connector Protection	1	
22	596339801	WERKZEUG		1	

PXM_REF	PXM_PARTNO	BESCHREIBUNG	PXM_REMARK		
1	577858103	DVD	DVD Autocheck EXP	1	
2	577518102	KABEL	Service Cable (USB)	1	
3	522916701	TASCHE	Bag	1	
4	580689502	AUFKLEBER	Warranty Seal 1pcs	1	
5	577606801	TESTAUSRÜSTUNG	Interruption Detector	1	
6	587224001	WALL HANGER	Wallhanger 310/315	1	
7	588408401	BATTERIELADEGERÄT	Quick Charger with Battery Test	1	
8	588202601	KABELSATZ	Cable Quick Charger	1	
9	587235803	BODY KIT	Top Cover Orange	1	
9	587235802	BODY KIT	Top Cover White	1	
9	587235801	BODY KIT	Top Cover Grey	1	
10	587235701	BÜRSTENSATZ	Wheel Brush KIT (Holder x2, Brush x6)	1	
11	587235301	RADSATZ	Terrain KIT (Brush KIT + Rear wheels)	1	
12	505132803	BÜRSTENSATZ	Brush, 6 pcs	1	
13	587236101	GEHÄUSE	House KIT	1	
14	577469001	Folie	Decal	1	
15	585323501	DECKEL	Lid	1	
16	586993801	DECKEL	Cover Base	1	
17	585323601	LUKE	Hatch	1	
18	585324002	EINSTELLHEBEL	Handle Left	1	
19	585324101	STANGE	Rod	1	
20	597435801	SCHRAUBE	Screw KIT, 6 pcs	1	
21	580511401	FEDER	Spring	2	
22	585341601	BALKEN	Beam	1	
23	575543314	SCHRAUBE	Screw	9	
24	585341501	ACHSE	Hinge Pin	2	
25	585324001	EINSTELLHEBEL	Handle Right	1	
26	585323802	STÜTZE	Support Left	1	
27	503226601	MUTTER 4-KANT	Square Nut	4	
28	585323801	STÜTZE	Support Right	1	
29	535129303	SCHRAUBE	Screw	4	
30	586662311	GPS MODULE	AM Connect. KIT, US,CA	1	
30	586662307	GPS MODULE	AM Connect. KIT, 2G/3G, BR, CL, UY, PY, AR, CO, EC, PE, CR	1	
30	586662313	GPS MODULE	AM Connect. KIT, UK, IE, CH, IT, ES, PT, DE, FR, AT, NL, BE, LUX, SI, SE, NO, DK, FI, CZ, PL, SK, HU, UA, RO, GR, HR, TR, BG, RU, LT, LV, EE, ZA, JP, AUS, NZ	1	
32	591374103	Folie	Original Parts Sticker	1	
32	591374102	Folie	Original Parts Sticker	1	
32	591374101	Folie	Original Parts Sticker	1	
33	590855101	SATZ		1	
34	593967901	SPRAY		1	